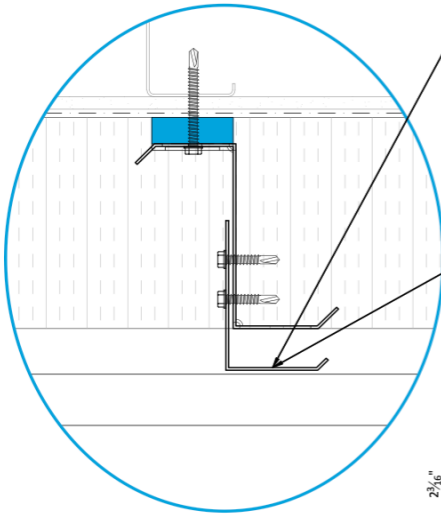


NOTE:

1. WALL ASSEMBLY SHOWN FOR INFORMATION ONLY. PROJECT SPECIFIC ENVIRONMENTAL LOADS MUST BE IN STRUCTURAL DESIGN BY CLADDING SPECIALTY ENGINEER.
2. HORIZONTAL CROSS STRAPPING WITH 18GA. G90 METAL GIRT IS OPTIONAL TO ACCOMMODATE DIFFERENT TYPES OF CLADDING / DESIGN. ALSO USED FOR AIR SPACE (TYP. 1' - 2').

1
D01 KOA THERMAL CLIP SYSTEM ON STEEL STUDS



2
D01 ASG - KOA SLOTTED ADJUSTABLE ATTACHMENT RAIL

