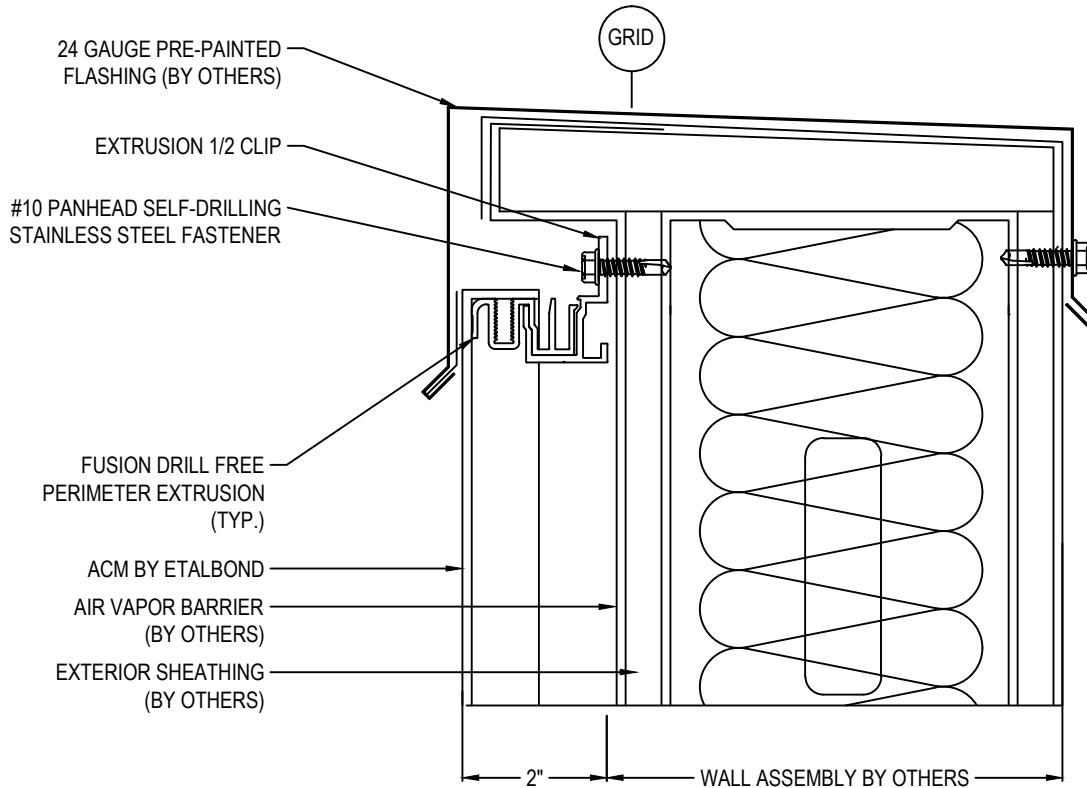




CARTER
ARCHITECTURAL PANELS INC

"Changing the Standard by Design"
BUILDING ENVELOPE SOLUTIONS

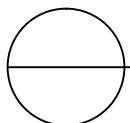
CARTER ARCHITECTURAL PANELS INC.
7925 E RAY RD. STE 133
MESA, AZ 85212
TOLL FREE: 1-844-888-5088
PHONE: (480) 899-3955
FAX: (480) 899-3613
www.carterpanels.com



SECTION DETAIL

NOTES:

1. INSTALLATION TO BE COMPLETED IN ACCORDANCE WITH MANUFACTURER'S SPECIFICATIONS.
2. DO NOT SCALE DRAWING.
3. THIS DRAWING IS INTENDED FOR USE BY ARCHITECTS, ENGINEERS, CONTRACTORS, CONSULTANTS AND DESIGN PROFESSIONALS FOR PLANNING PURPOSES ONLY. THIS DRAWING MAY NOT BE USED FOR CONSTRUCTION.
4. ALL INFORMATION CONTAINED HEREIN WAS CURRENT AT THE TIME OF DEVELOPMENT BUT MUST BE REVIEWED AND APPROVED BY THE PRODUCT MANUFACTURER TO BE CONSIDERED ACCURATE.
5. CONTRACTOR'S NOTE: FOR PRODUCT AND COMPANY INFORMATION VISIT www.CADdetails.com/info AND ENTER REFERENCE NUMBER ACM_FUSION - Wet Joint Standard Details



FUSION™ DRILLFREE™ PANEL SYSTEM

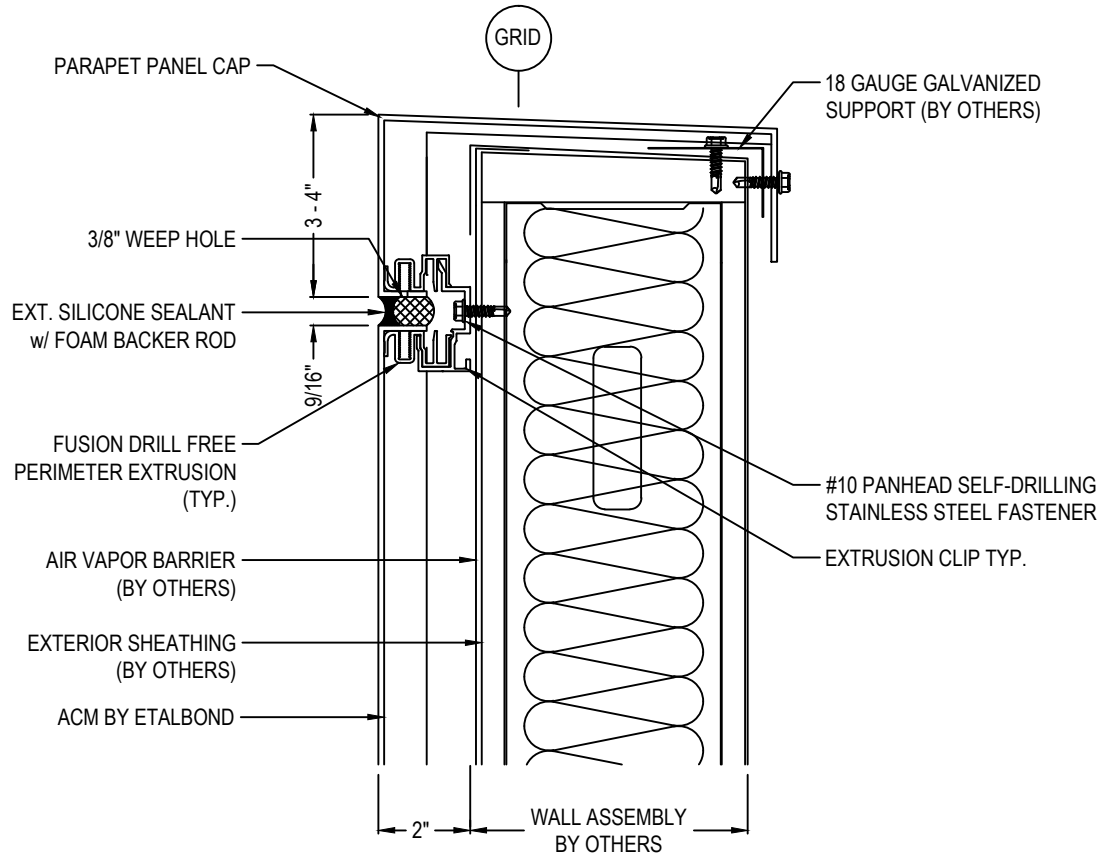
PARAPET CAP DETAIL OPTION 1 (CF-F01)



CARTER
ARCHITECTURAL PANELS INC

"Changing the Standard by Design"
BUILDING ENVELOPE SOLUTIONS

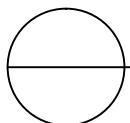
CARTER ARCHITECTURAL PANELS INC.
7925 E RAY RD. STE 133
MESA, AZ 85212
TOLL FREE: 1-844-888-5088
PHONE: (480) 899-3955
FAX: (480) 899-3613
www.carterpanels.com



SECTION DETAIL

NOTES:

1. INSTALLATION TO BE COMPLETED IN ACCORDANCE WITH MANUFACTURER'S SPECIFICATIONS.
2. DO NOT SCALE DRAWING.
3. THIS DRAWING IS INTENDED FOR USE BY ARCHITECTS, ENGINEERS, CONTRACTORS, CONSULTANTS AND DESIGN PROFESSIONALS FOR PLANNING PURPOSES ONLY. THIS DRAWING MAY NOT BE USED FOR CONSTRUCTION.
4. ALL INFORMATION CONTAINED HEREIN WAS CURRENT AT THE TIME OF DEVELOPMENT BUT MUST BE REVIEWED AND APPROVED BY THE PRODUCT MANUFACTURER TO BE CONSIDERED ACCURATE.
5. CONTRACTOR'S NOTE: FOR PRODUCT AND COMPANY INFORMATION VISIT www.CADdetails.com/info AND ENTER REFERENCE NUMBER ACM_FUSION - Wet Joint Standard Details



FUSION™ DRILLFREE™ PANEL SYSTEM

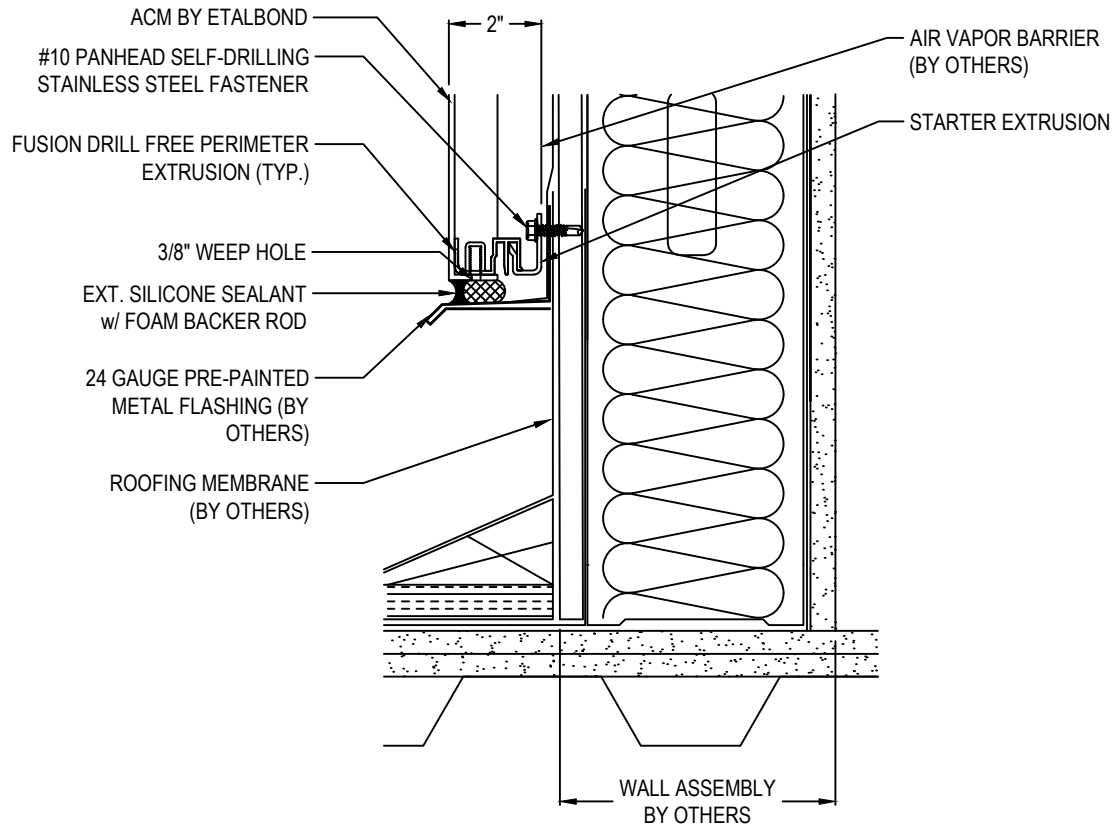
PARAPET CAP DETAIL OPTION 2 (CF-F02)



CARTER
ARCHITECTURAL PANELS INC

"Changing the Standard by Design"
BUILDING ENVELOPE SOLUTIONS

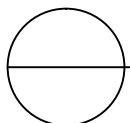
CARTER ARCHITECTURAL PANELS INC.
7925 E RAY RD. STE 133
MESA, AZ 85212
TOLL FREE: 1-844-888-5088
PHONE: (480) 899-3955
FAX: (480) 899-3613
www.carterpanels.com



SECTION DETAIL

NOTES:

1. INSTALLATION TO BE COMPLETED IN ACCORDANCE WITH MANUFACTURER'S SPECIFICATIONS.
2. DO NOT SCALE DRAWING.
3. THIS DRAWING IS INTENDED FOR USE BY ARCHITECTS, ENGINEERS, CONTRACTORS, CONSULTANTS AND DESIGN PROFESSIONALS FOR PLANNING PURPOSES ONLY. THIS DRAWING MAY NOT BE USED FOR CONSTRUCTION.
4. ALL INFORMATION CONTAINED HEREIN WAS CURRENT AT THE TIME OF DEVELOPMENT BUT MUST BE REVIEWED AND APPROVED BY THE PRODUCT MANUFACTURER TO BE CONSIDERED ACCURATE.
5. CONTRACTOR'S NOTE: FOR PRODUCT AND COMPANY INFORMATION VISIT www.CADdetails.com/info AND ENTER REFERENCE NUMBER ACM_FUSION - Wet Joint Standard Details



FUSION™ DRILLFREE™ PANEL SYSTEM

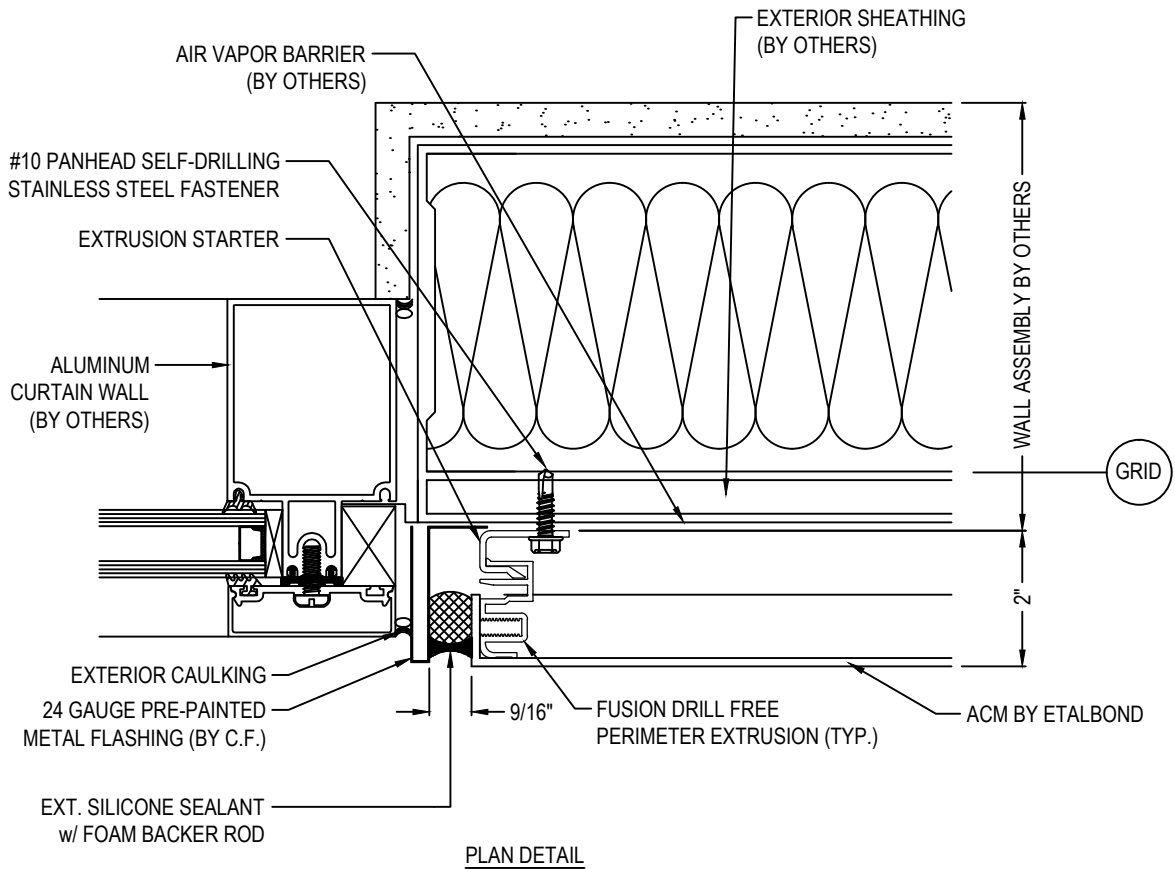
BASE DETAIL - ROOF / WALL TRANSITION (CF-F03)



CARTER
ARCHITECTURAL PANELS INC

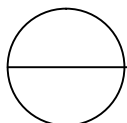
"Changing the Standard by Design"
BUILDING ENVELOPE SOLUTIONS

CARTER ARCHITECTURAL PANELS INC.
7925 E RAY RD. STE 133
MESA, AZ 85212
TOLL FREE: 1-844-888-5088
PHONE: (480) 899-3955
FAX: (480) 899-3613
www.carterpanels.com



NOTES:

1. INSTALLATION TO BE COMPLETED IN ACCORDANCE WITH MANUFACTURER'S SPECIFICATIONS.
2. DO NOT SCALE DRAWING.
3. THIS DRAWING IS INTENDED FOR USE BY ARCHITECTS, ENGINEERS, CONTRACTORS, CONSULTANTS AND DESIGN PROFESSIONALS FOR PLANNING PURPOSES ONLY. THIS DRAWING MAY NOT BE USED FOR CONSTRUCTION.
4. ALL INFORMATION CONTAINED HEREIN WAS CURRENT AT THE TIME OF DEVELOPMENT BUT MUST BE REVIEWED AND APPROVED BY THE PRODUCT MANUFACTURER TO BE CONSIDERED ACCURATE.
5. CONTRACTOR'S NOTE: FOR PRODUCT AND COMPANY INFORMATION VISIT www.CADdetails.com/info AND ENTER REFERENCE NUMBER ACM_FUSION - Wet Joint Standard Details



FUSION™ DRILLFREE™ PANEL SYSTEM

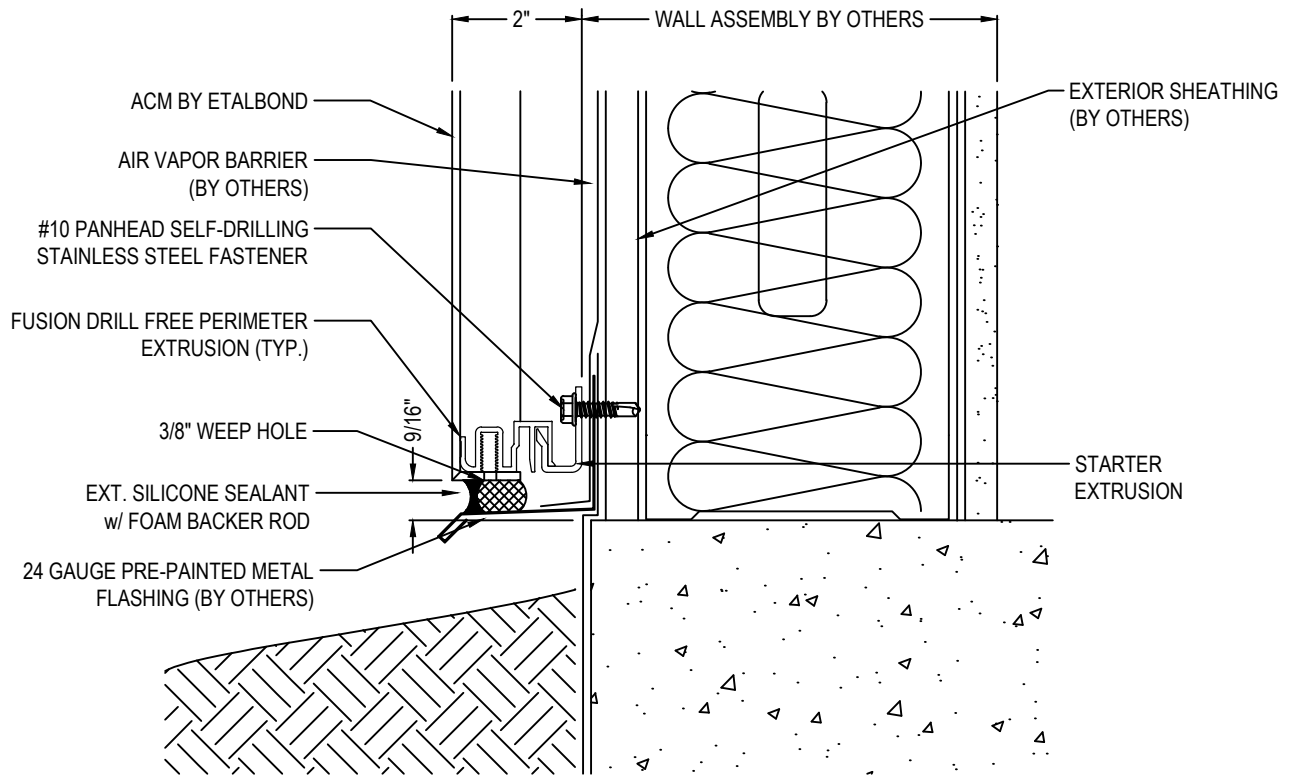
JAMB DETAIL (CF-F04)



CARTER
ARCHITECTURAL PANELS INC

"Changing the Standard by Design"
BUILDING ENVELOPE SOLUTIONS

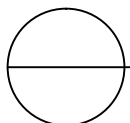
CARTER ARCHITECTURAL PANELS INC.
7925 E RAY RD. STE 133
MESA, AZ 85212
TOLL FREE: 1-844-888-5088
PHONE: (480) 899-3955
FAX: (480) 899-3613
www.carterpanels.com



SECTION DETAIL

NOTES:

1. INSTALLATION TO BE COMPLETED IN ACCORDANCE WITH MANUFACTURER'S SPECIFICATIONS.
2. DO NOT SCALE DRAWING.
3. THIS DRAWING IS INTENDED FOR USE BY ARCHITECTS, ENGINEERS, CONTRACTORS, CONSULTANTS AND DESIGN PROFESSIONALS FOR PLANNING PURPOSES ONLY. THIS DRAWING MAY NOT BE USED FOR CONSTRUCTION.
4. ALL INFORMATION CONTAINED HEREIN WAS CURRENT AT THE TIME OF DEVELOPMENT BUT MUST BE REVIEWED AND APPROVED BY THE PRODUCT MANUFACTURER TO BE CONSIDERED ACCURATE.
5. CONTRACTOR'S NOTE: FOR PRODUCT AND COMPANY INFORMATION VISIT www.CADdetails.com/info AND ENTER REFERENCE NUMBER ACM_FUSION - Wet Joint Standard Details



FUSION™ DRILLFREE™ PANEL SYSTEM

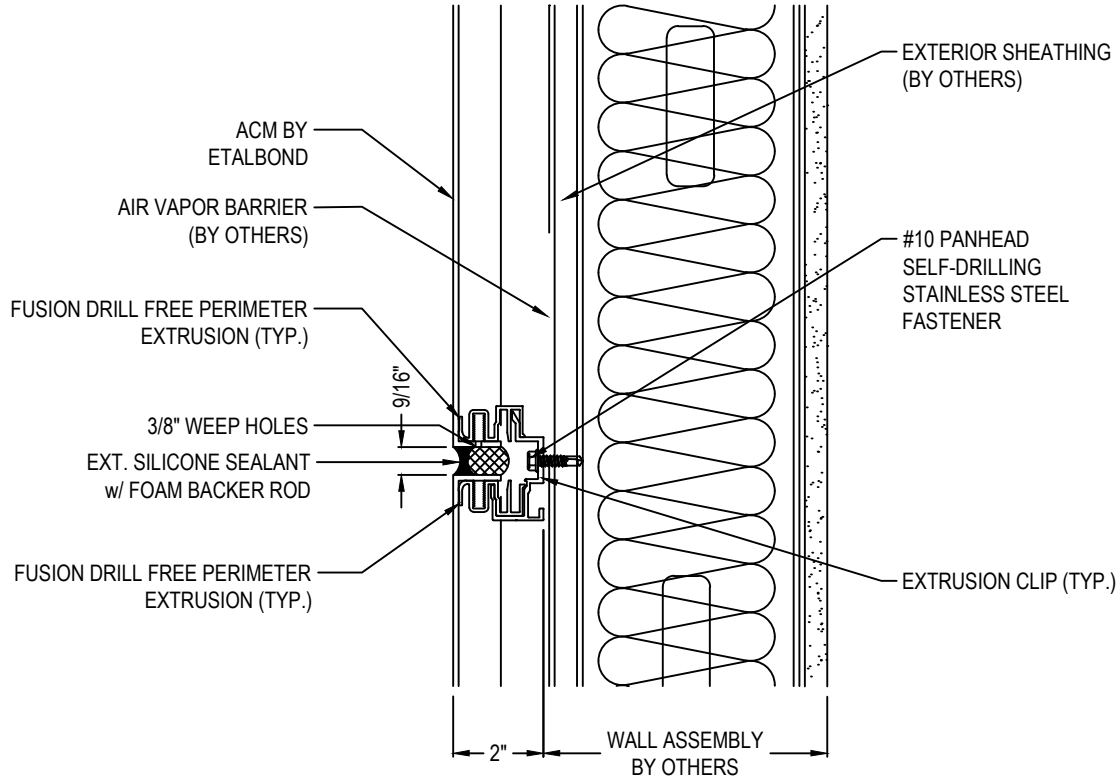
SECTION BASE DETAIL (CF-F05)



CARTER
ARCHITECTURAL PANELS INC

"Changing the Standard by Design"
BUILDING ENVELOPE SOLUTIONS

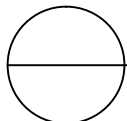
CARTER ARCHITECTURAL PANELS INC.
7925 E RAY RD. STE 133
MESA, AZ 85212
TOLL FREE: 1-844-888-5088
PHONE: (480) 899-3955
FAX: (480) 899-3613
www.carterpanels.com



SECTION DETAIL

NOTES:

1. INSTALLATION TO BE COMPLETED IN ACCORDANCE WITH MANUFACTURER'S SPECIFICATIONS.
2. DO NOT SCALE DRAWING.
3. THIS DRAWING IS INTENDED FOR USE BY ARCHITECTS, ENGINEERS, CONTRACTORS, CONSULTANTS AND DESIGN PROFESSIONALS FOR PLANNING PURPOSES ONLY. THIS DRAWING MAY NOT BE USED FOR CONSTRUCTION.
4. ALL INFORMATION CONTAINED HEREIN WAS CURRENT AT THE TIME OF DEVELOPMENT BUT MUST BE REVIEWED AND APPROVED BY THE PRODUCT MANUFACTURER TO BE CONSIDERED ACCURATE.
5. CONTRACTOR'S NOTE: FOR PRODUCT AND COMPANY INFORMATION VISIT www.CADdetails.com/info AND ENTER REFERENCE NUMBER ACM_FUSION - Wet Joint Standard Details



FUSION™ DRILLFREE™ PANEL SYSTEM

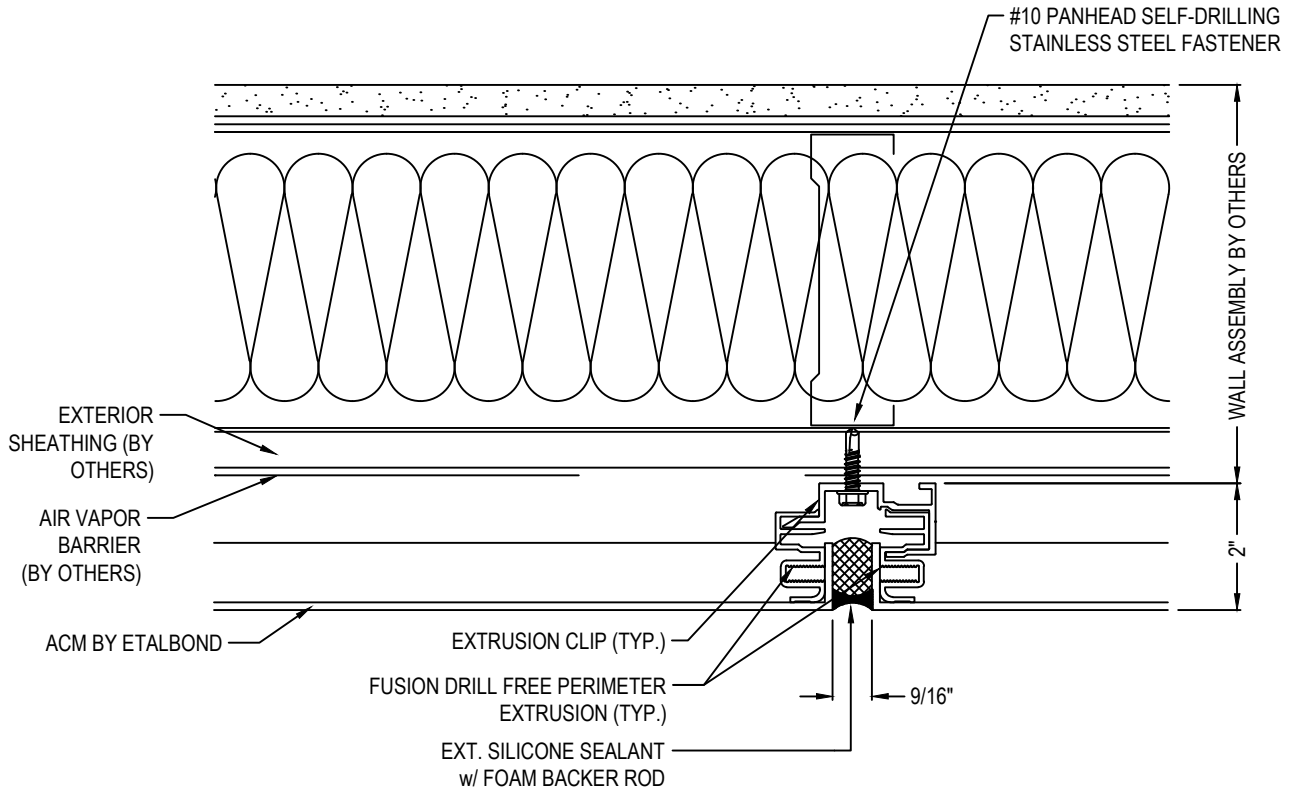
HORIZONTAL JOINT DETAIL (CF-F06)



CARTER
ARCHITECTURAL PANELS INC

"Changing the Standard by Design"
BUILDING ENVELOPE SOLUTIONS

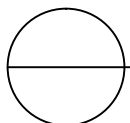
CARTER ARCHITECTURAL PANELS INC.
7925 E RAY RD. STE 133
MESA, AZ 85212
TOLL FREE: 1-844-888-5088
PHONE: (480) 899-3955
FAX: (480) 899-3613
www.carterpanels.com



SECTION DETAIL

NOTES:

1. INSTALLATION TO BE COMPLETED IN ACCORDANCE WITH MANUFACTURER'S SPECIFICATIONS.
2. DO NOT SCALE DRAWING.
3. THIS DRAWING IS INTENDED FOR USE BY ARCHITECTS, ENGINEERS, CONTRACTORS, CONSULTANTS AND DESIGN PROFESSIONALS FOR PLANNING PURPOSES ONLY. THIS DRAWING MAY NOT BE USED FOR CONSTRUCTION.
4. ALL INFORMATION CONTAINED HEREIN WAS CURRENT AT THE TIME OF DEVELOPMENT BUT MUST BE REVIEWED AND APPROVED BY THE PRODUCT MANUFACTURER TO BE CONSIDERED ACCURATE.
5. CONTRACTOR'S NOTE: FOR PRODUCT AND COMPANY INFORMATION VISIT www.CADdetails.com/info AND ENTER REFERENCE NUMBER ACM_FUSION - Wet Joint Standard Details



FUSION™ DRILLFREE™ PANEL SYSTEM

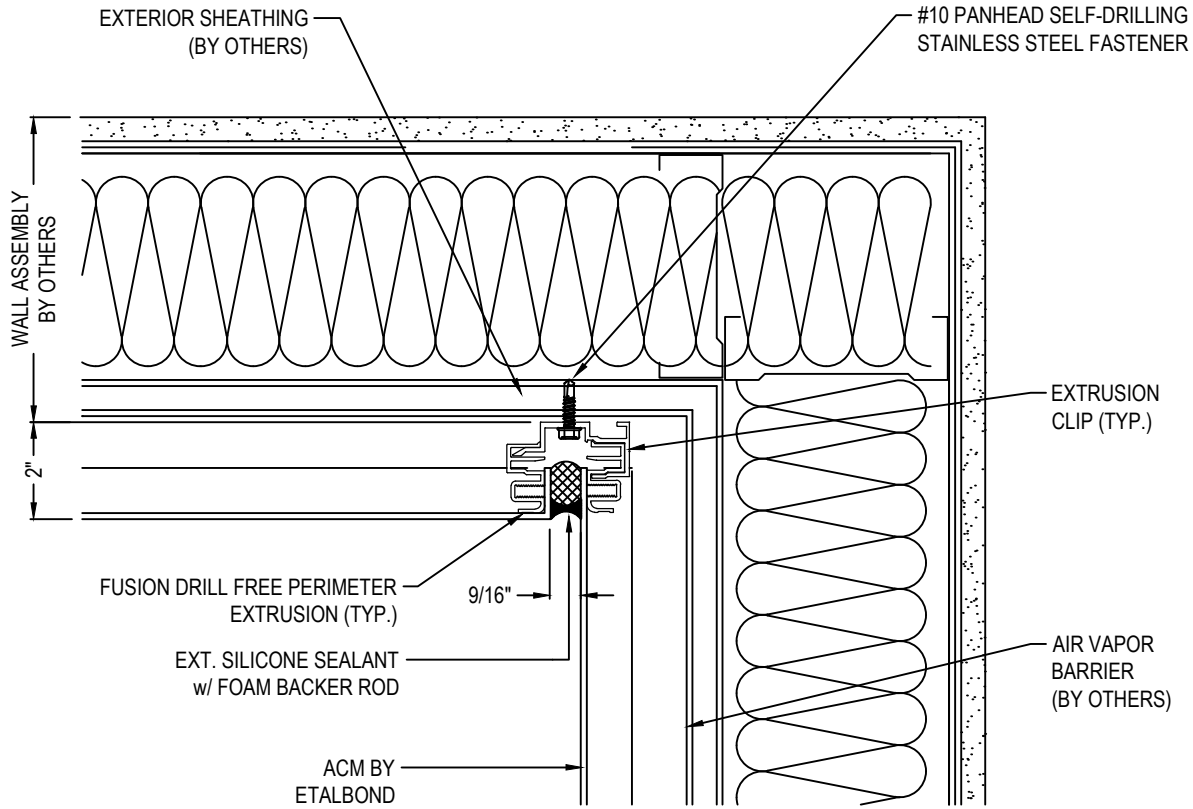
VERTICAL JOINT DETAIL (CF-F07)



CARTER
ARCHITECTURAL PANELS INC

"Changing the Standard by Design"
BUILDING ENVELOPE SOLUTIONS

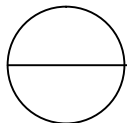
CARTER ARCHITECTURAL PANELS INC.
7925 E RAY RD. STE 133
MESA, AZ 85212
TOLL FREE: 1-844-888-5088
PHONE: (480) 899-3955
FAX: (480) 899-3613
www.carterpanels.com



SECTION DETAIL

NOTES:

1. INSTALLATION TO BE COMPLETED IN ACCORDANCE WITH MANUFACTURER'S SPECIFICATIONS.
2. DO NOT SCALE DRAWING.
3. THIS DRAWING IS INTENDED FOR USE BY ARCHITECTS, ENGINEERS, CONTRACTORS, CONSULTANTS AND DESIGN PROFESSIONALS FOR PLANNING PURPOSES ONLY. THIS DRAWING MAY NOT BE USED FOR CONSTRUCTION.
4. ALL INFORMATION CONTAINED HEREIN WAS CURRENT AT THE TIME OF DEVELOPMENT BUT MUST BE REVIEWED AND APPROVED BY THE PRODUCT MANUFACTURER TO BE CONSIDERED ACCURATE.
5. CONTRACTOR'S NOTE: FOR PRODUCT AND COMPANY INFORMATION VISIT www.CADdetails.com/info AND ENTER REFERENCE NUMBER ACM_FUSION - Wet Joint Standard Details



FUSION™ DRILLFREE™ PANEL SYSTEM

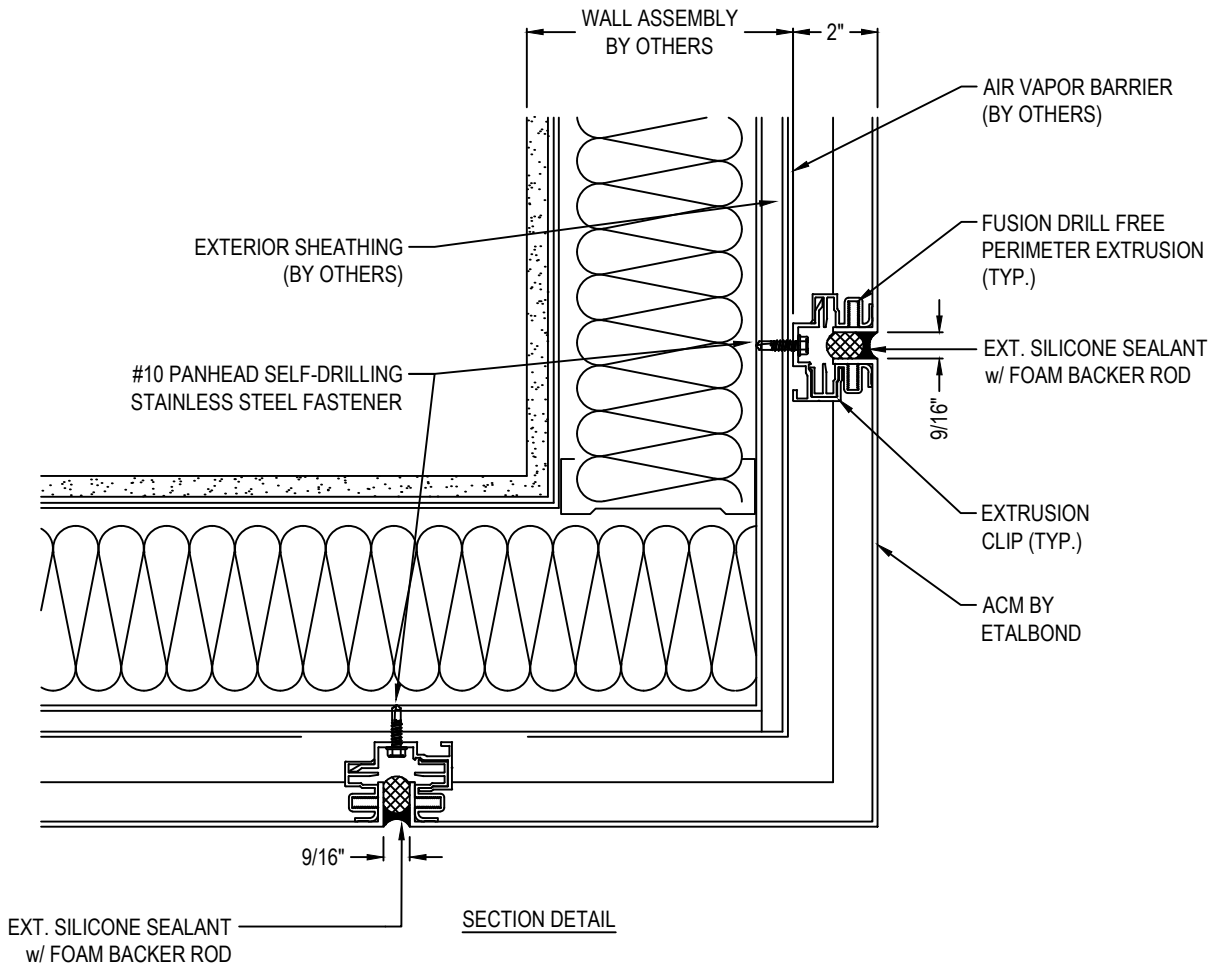
INSIDE CORNER DETAIL (CF-F08)



CARTER
ARCHITECTURAL PANELS INC

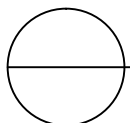
"Changing the Standard by Design"
BUILDING ENVELOPE SOLUTIONS

CARTER ARCHITECTURAL PANELS INC.
7925 E RAY RD. STE 133
MESA, AZ 85212
TOLL FREE: 1-844-888-5088
PHONE: (480) 899-3955
FAX: (480) 899-3613
www.carterpanels.com



NOTES:

1. INSTALLATION TO BE COMPLETED IN ACCORDANCE WITH MANUFACTURER'S SPECIFICATIONS.
2. DO NOT SCALE DRAWING.
3. THIS DRAWING IS INTENDED FOR USE BY ARCHITECTS, ENGINEERS, CONTRACTORS, CONSULTANTS AND DESIGN PROFESSIONALS FOR PLANNING PURPOSES ONLY. THIS DRAWING MAY NOT BE USED FOR CONSTRUCTION.
4. ALL INFORMATION CONTAINED HEREIN WAS CURRENT AT THE TIME OF DEVELOPMENT BUT MUST BE REVIEWED AND APPROVED BY THE PRODUCT MANUFACTURER TO BE CONSIDERED ACCURATE.
5. CONTRACTOR'S NOTE: FOR PRODUCT AND COMPANY INFORMATION VISIT www.CADdetails.com/info AND ENTER REFERENCE NUMBER ACM_FUSION - Wet Joint Standard Details



FUSION™ DRILLFREE™ PANEL SYSTEM

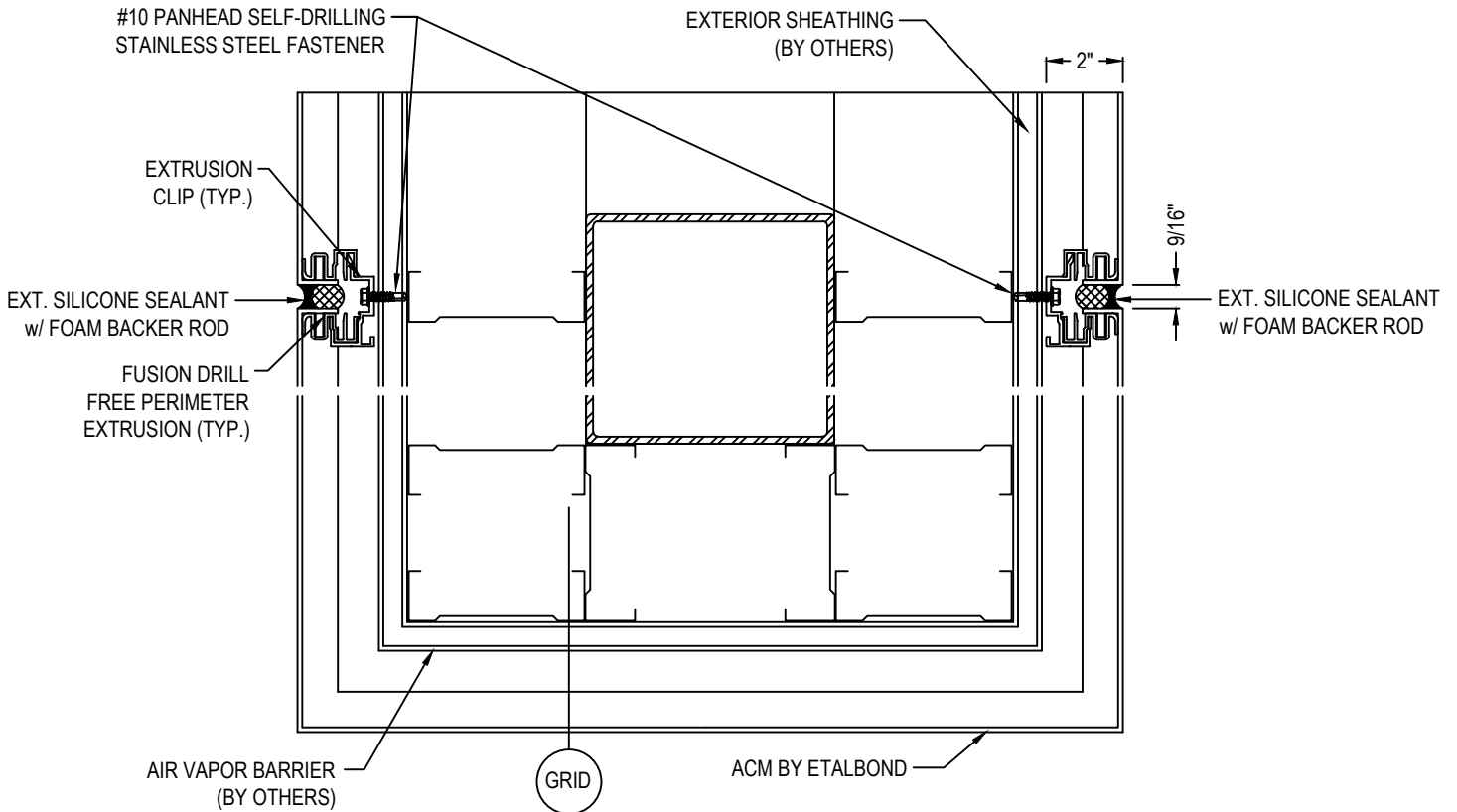
OUTSIDE CORNER DETAIL (CF-F09)



CARTER
ARCHITECTURAL PANELS INC

"Changing the Standard by Design"
BUILDING ENVELOPE SOLUTIONS

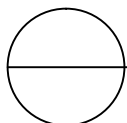
CARTER ARCHITECTURAL PANELS INC.
7925 E RAY RD. STE 133
MESA, AZ 85212
TOLL FREE: 1-844-888-5088
PHONE: (480) 899-3955
FAX: (480) 899-3613
www.carterpanels.com



SECTION DETAIL

NOTES:

1. INSTALLATION TO BE COMPLETED IN ACCORDANCE WITH MANUFACTURER'S SPECIFICATIONS.
2. DO NOT SCALE DRAWING.
3. THIS DRAWING IS INTENDED FOR USE BY ARCHITECTS, ENGINEERS, CONTRACTORS, CONSULTANTS AND DESIGN PROFESSIONALS FOR PLANNING PURPOSES ONLY. THIS DRAWING MAY NOT BE USED FOR CONSTRUCTION.
4. ALL INFORMATION CONTAINED HEREIN WAS CURRENT AT THE TIME OF DEVELOPMENT BUT MUST BE REVIEWED AND APPROVED BY THE PRODUCT MANUFACTURER TO BE CONSIDERED ACCURATE.
5. CONTRACTOR'S NOTE: FOR PRODUCT AND COMPANY INFORMATION VISIT www.CADdetails.com/info AND ENTER REFERENCE NUMBER ACM_FUSION - Wet Joint Standard Details



FUSION™ DRILLFREE™ PANEL SYSTEM

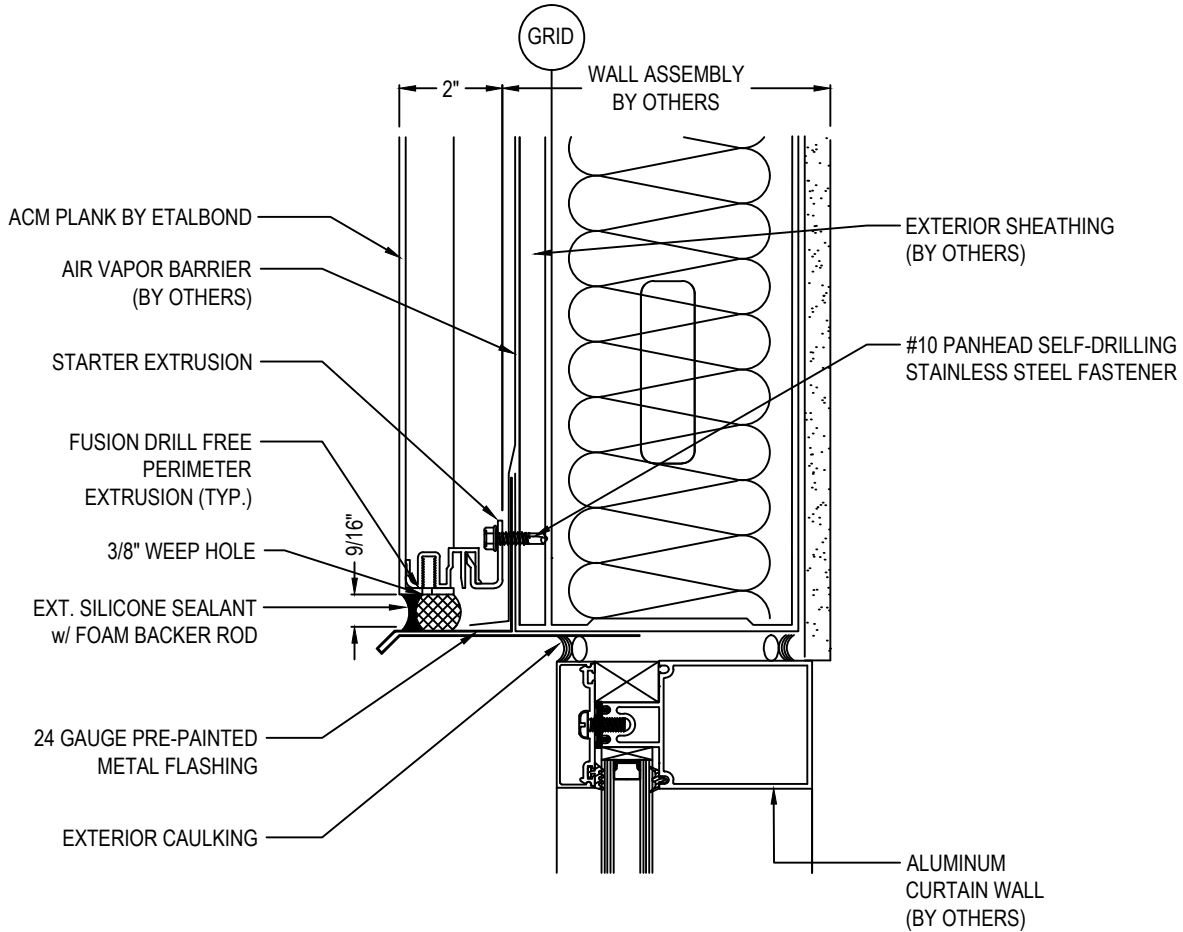
COLUMN DETAIL (CF-F10)



CARTER
ARCHITECTURAL PANELS INC

"Changing the Standard by Design"
BUILDING ENVELOPE SOLUTIONS

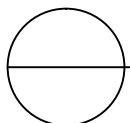
CARTER ARCHITECTURAL PANELS INC.
7925 E RAY RD. STE 133
MESA, AZ 85212
TOLL FREE: 1-844-888-5088
PHONE: (480) 899-3955
FAX: (480) 899-3613
www.carterpanels.com



SECTION DETAIL

NOTES:

1. INSTALLATION TO BE COMPLETED IN ACCORDANCE WITH MANUFACTURER'S SPECIFICATIONS.
2. DO NOT SCALE DRAWING.
3. THIS DRAWING IS INTENDED FOR USE BY ARCHITECTS, ENGINEERS, CONTRACTORS, CONSULTANTS AND DESIGN PROFESSIONALS FOR PLANNING PURPOSES ONLY. THIS DRAWING MAY NOT BE USED FOR CONSTRUCTION.
4. ALL INFORMATION CONTAINED HEREIN WAS CURRENT AT THE TIME OF DEVELOPMENT BUT MUST BE REVIEWED AND APPROVED BY THE PRODUCT MANUFACTURER TO BE CONSIDERED ACCURATE.
5. CONTRACTOR'S NOTE: FOR PRODUCT AND COMPANY INFORMATION VISIT www.CADdetails.com/info AND ENTER REFERENCE NUMBER ACM_FUSION - Wet Joint Standard Details



FUSION™ DRILLFREE™ PANEL SYSTEM

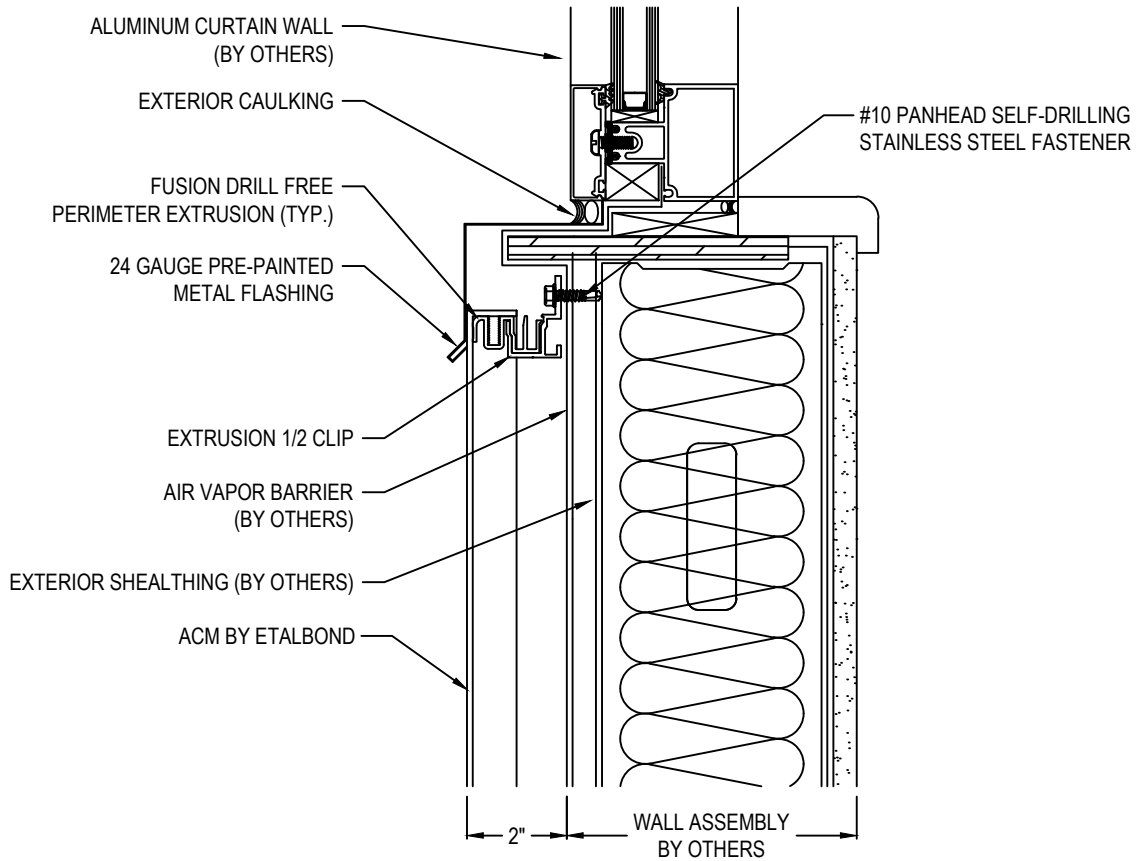
HEAD DETAIL (CF-F11)



CARTER
ARCHITECTURAL PANELS INC

"Changing the Standard by Design"
BUILDING ENVELOPE SOLUTIONS

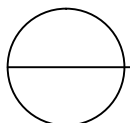
CARTER ARCHITECTURAL PANELS INC.
7925 E RAY RD. STE 133
MESA, AZ 85212
TOLL FREE: 1-844-888-5088
PHONE: (480) 899-3955
FAX: (480) 899-3613
www.carterpanels.com



SECTION DETAIL

NOTES:

1. INSTALLATION TO BE COMPLETED IN ACCORDANCE WITH MANUFACTURER'S SPECIFICATIONS.
2. DO NOT SCALE DRAWING.
3. THIS DRAWING IS INTENDED FOR USE BY ARCHITECTS, ENGINEERS, CONTRACTORS, CONSULTANTS AND DESIGN PROFESSIONALS FOR PLANNING PURPOSES ONLY. THIS DRAWING MAY NOT BE USED FOR CONSTRUCTION.
4. ALL INFORMATION CONTAINED HEREIN WAS CURRENT AT THE TIME OF DEVELOPMENT BUT MUST BE REVIEWED AND APPROVED BY THE PRODUCT MANUFACTURER TO BE CONSIDERED ACCURATE.
5. CONTRACTOR'S NOTE: FOR PRODUCT AND COMPANY INFORMATION VISIT www.CADdetails.com/info AND ENTER REFERENCE NUMBER ACM_FUSION - Wet Joint Standard Details



FUSION™ DRILLFREE™ PANEL SYSTEM

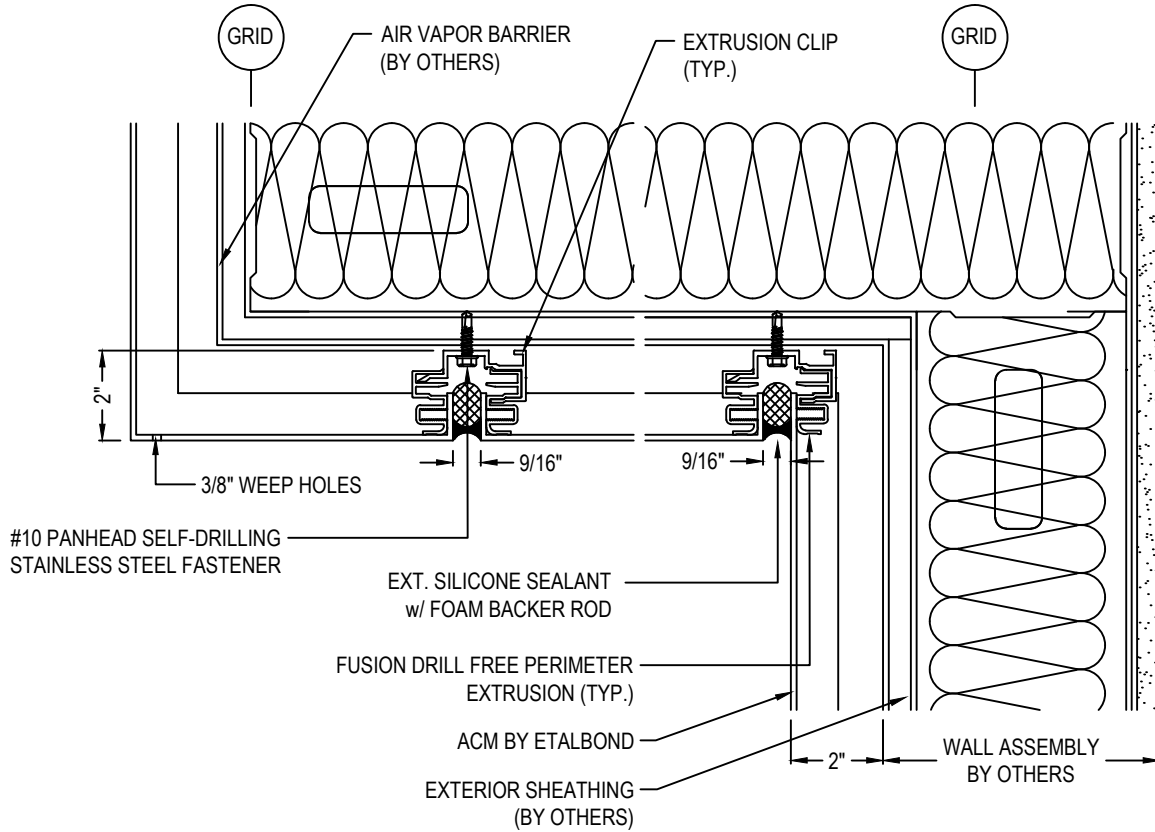
SILL DETAIL (CF-F12)



CARTER
ARCHITECTURAL PANELS INC

"Changing the Standard by Design"
BUILDING ENVELOPE SOLUTIONS

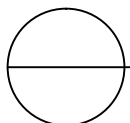
CARTER ARCHITECTURAL PANELS INC.
7925 E RAY RD. STE 133
MESA, AZ 85212
TOLL FREE: 1-844-888-5088
PHONE: (480) 899-3955
FAX: (480) 899-3613
www.carterpanels.com



SECTION DETAIL

NOTES:

1. INSTALLATION TO BE COMPLETED IN ACCORDANCE WITH MANUFACTURER'S SPECIFICATIONS.
2. DO NOT SCALE DRAWING.
3. THIS DRAWING IS INTENDED FOR USE BY ARCHITECTS, ENGINEERS, CONTRACTORS, CONSULTANTS AND DESIGN PROFESSIONALS FOR PLANNING PURPOSES ONLY. THIS DRAWING MAY NOT BE USED FOR CONSTRUCTION.
4. ALL INFORMATION CONTAINED HEREIN WAS CURRENT AT THE TIME OF DEVELOPMENT BUT MUST BE REVIEWED AND APPROVED BY THE PRODUCT MANUFACTURER TO BE CONSIDERED ACCURATE.
5. CONTRACTOR'S NOTE: FOR PRODUCT AND COMPANY INFORMATION VISIT www.CADdetails.com/info AND ENTER REFERENCE NUMBER ACM_FUSION - Wet Joint Standard Details



FUSION™ DRILLFREE™ PANEL SYSTEM

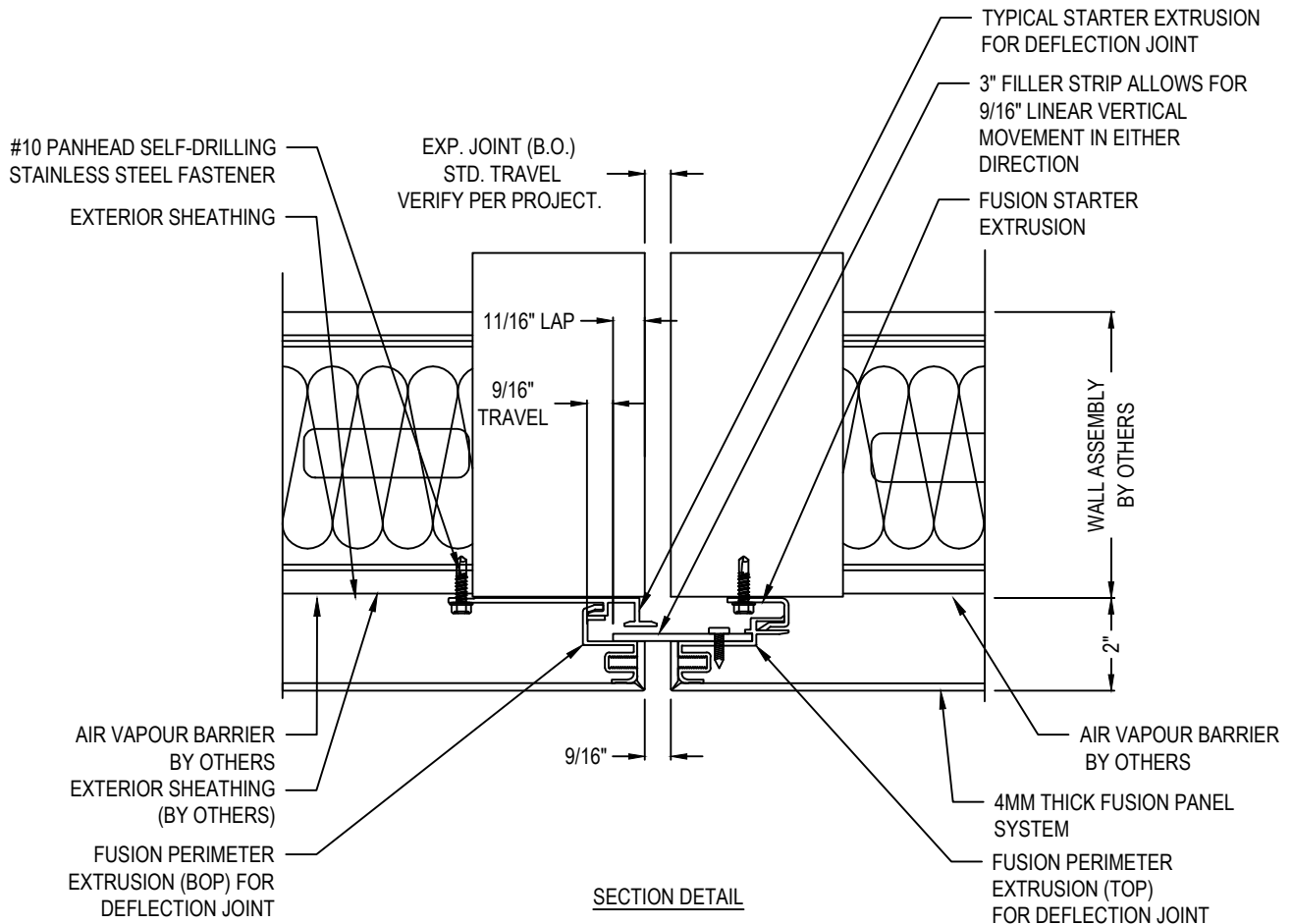
SOFFIT DETAIL (CF-F13)



CARTER
ARCHITECTURAL PANELS INC

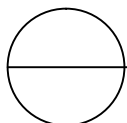
"Changing the Standard by Design"
BUILDING ENVELOPE SOLUTIONS

CARTER ARCHITECTURAL PANELS INC.
7925 E RAY RD. STE 133
MESA, AZ 85212
TOLL FREE: 1-844-888-5088
PHONE: (480) 899-3955
FAX: (480) 899-3613
www.carterpanels.com



NOTES:

1. INSTALLATION TO BE COMPLETED IN ACCORDANCE WITH MANUFACTURER'S SPECIFICATIONS.
2. DO NOT SCALE DRAWING.
3. THIS DRAWING IS INTENDED FOR USE BY ARCHITECTS, ENGINEERS, CONTRACTORS, CONSULTANTS AND DESIGN PROFESSIONALS FOR PLANNING PURPOSES ONLY. THIS DRAWING MAY NOT BE USED FOR CONSTRUCTION.
4. ALL INFORMATION CONTAINED HEREIN WAS CURRENT AT THE TIME OF DEVELOPMENT BUT MUST BE REVIEWED AND APPROVED BY THE PRODUCT MANUFACTURER TO BE CONSIDERED ACCURATE.
5. CONTRACTOR'S NOTE: FOR PRODUCT AND COMPANY INFORMATION VISIT www.CADdetails.com/info AND ENTER REFERENCE NUMBER ACM_FUSION - Wet Joint Standard Details



FUSION™ PANEL SYSTEM

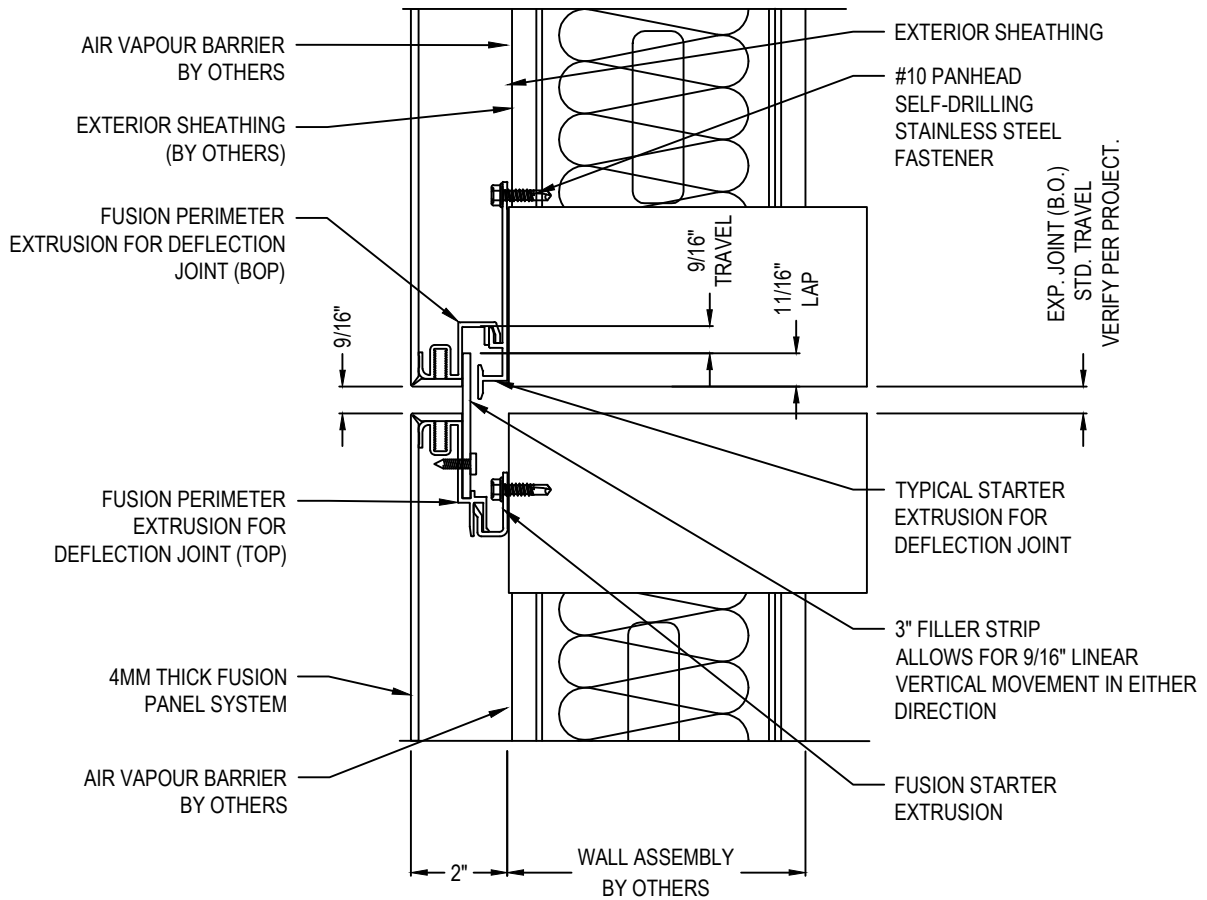
FUSION™ PANEL SYSTEM: EXPANSION JOINT DETAIL (CF-14)



CARTER
ARCHITECTURAL PANELS INC

"Changing the Standard by Design"
BUILDING ENVELOPE SOLUTIONS

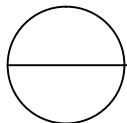
CARTER ARCHITECTURAL PANELS INC.
7925 E RAY RD. STE 133
MESA, AZ 85212
TOLL FREE: 1-844-888-5088
PHONE: (480) 899-3955
FAX: (480) 899-3613
www.carterpanels.com



SECTION DETAIL

NOTES:

1. INSTALLATION TO BE COMPLETED IN ACCORDANCE WITH MANUFACTURER'S SPECIFICATIONS.
2. DO NOT SCALE DRAWING.
3. THIS DRAWING IS INTENDED FOR USE BY ARCHITECTS, ENGINEERS, CONTRACTORS, CONSULTANTS AND DESIGN PROFESSIONALS FOR PLANNING PURPOSES ONLY. THIS DRAWING MAY NOT BE USED FOR CONSTRUCTION.
4. ALL INFORMATION CONTAINED HEREIN WAS CURRENT AT THE TIME OF DEVELOPMENT BUT MUST BE REVIEWED AND APPROVED BY THE PRODUCT MANUFACTURER TO BE CONSIDERED ACCURATE.
5. CONTRACTOR'S NOTE: FOR PRODUCT AND COMPANY INFORMATION VISIT www.CADdetails.com/info AND ENTER REFERENCE NUMBER ACM_FUSION - Wet Joint Standard Details



FUSION™ PANEL SYSTEM

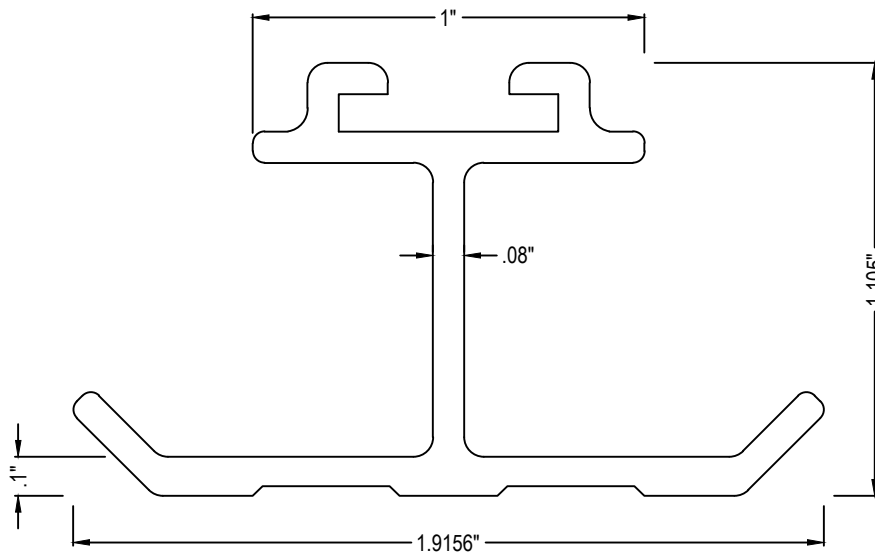
FUSION™ PANEL SYSTEM: SLAB DEFLECTION DETAIL (CF-15)



CARTER
ARCHITECTURAL PANELS INC

"Changing the Standard by Design"
BUILDING ENVELOPE SOLUTIONS

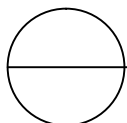
CARTER ARCHITECTURAL PANELS INC.
7925 E RAY RD. STE 133
MESA, AZ 85212
TOLL FREE: 1-844-888-5088
PHONE: (480) 899-3955
FAX: (480) 899-3613
www.carterpanels.com



END VIEW

NOTES:

1. INSTALLATION TO BE COMPLETED IN ACCORDANCE WITH MANUFACTURER'S SPECIFICATIONS.
2. DO NOT SCALE DRAWING.
3. THIS DRAWING IS INTENDED FOR USE BY ARCHITECTS, ENGINEERS, CONTRACTORS, CONSULTANTS AND DESIGN PROFESSIONALS FOR PLANNING PURPOSES ONLY. THIS DRAWING MAY NOT BE USED FOR CONSTRUCTION.
4. ALL INFORMATION CONTAINED HEREIN WAS CURRENT AT THE TIME OF DEVELOPMENT BUT MUST BE REVIEWED AND APPROVED BY THE PRODUCT MANUFACTURER TO BE CONSIDERED ACCURATE.
5. CONTRACTOR'S NOTE: FOR PRODUCT AND COMPANY INFORMATION VISIT www.CADdetails.com/info AND ENTER REFERENCE NUMBER ACM_FUSION - Wet Joint Standard Details



FUSION™ DRILLFREE™ PANEL SYSTEM

FUSION™ PANEL SYSTEM: INTEGRATED STIFFENER