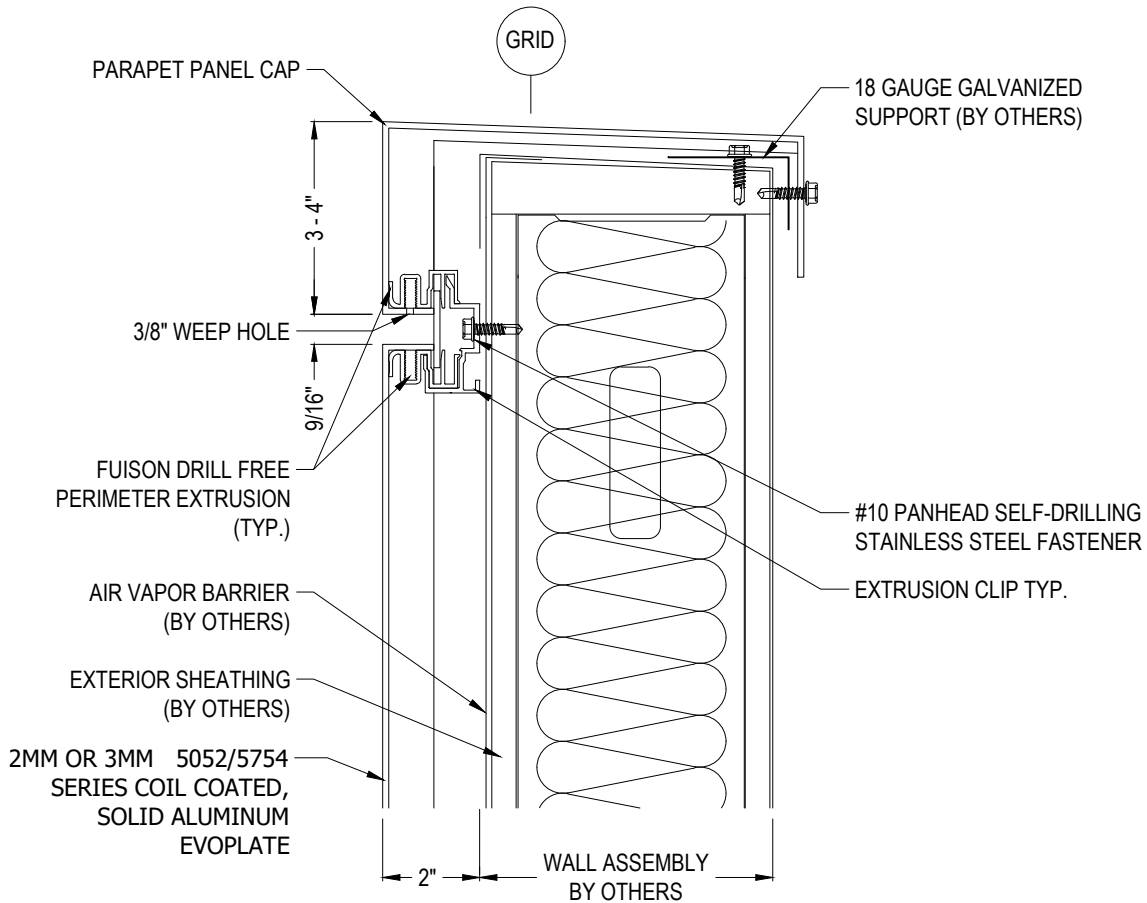




CARTER
ARCHITECTURAL PANELS INC

"Changing the Standard by Design"
BUILDING ENVELOPE SOLUTIONS

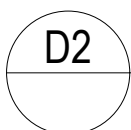
CARTER ARCHITECTURAL PANELS INC.
221 E. WILLIS ROAD, BUILDING A, UNIT 18
CHANDLER, AZ 85286
TOLL FREE: 1-844-888-5088
PHONE: (480) 899-3955
FAX: (480) 899-3613
www.carterpanels.com



SECTION DETAIL

NOTES:

1. INSTALLATION TO BE COMPLETED IN ACCORDANCE WITH MANUFACTURER'S SPECIFICATIONS.
2. DO NOT SCALE DRAWING.
3. THIS DRAWING IS INTENDED FOR USE BY ARCHITECTS, ENGINEERS, CONTRACTORS, CONSULTANTS AND DESIGN PROFESSIONALS FOR PLANNING PURPOSES ONLY. THIS DRAWING MAY NOT BE USED FOR CONSTRUCTION.
4. ALL INFORMATION CONTAINED HEREIN WAS CURRENT AT THE TIME OF DEVELOPMENT BUT MUST BE REVIEWED AND APPROVED BY THE PRODUCT MANUFACTURER TO BE CONSIDERED ACCURATE.
5. CONTRACTOR'S NOTE: FOR PRODUCT AND COMPANY INFORMATION VISIT www.CADdetails.com/info AND ENTER REFERENCE NUMBER : FUSION - EVOPLATE-D2



FUSION™ DRILLFREE™ PANEL SYSTEM

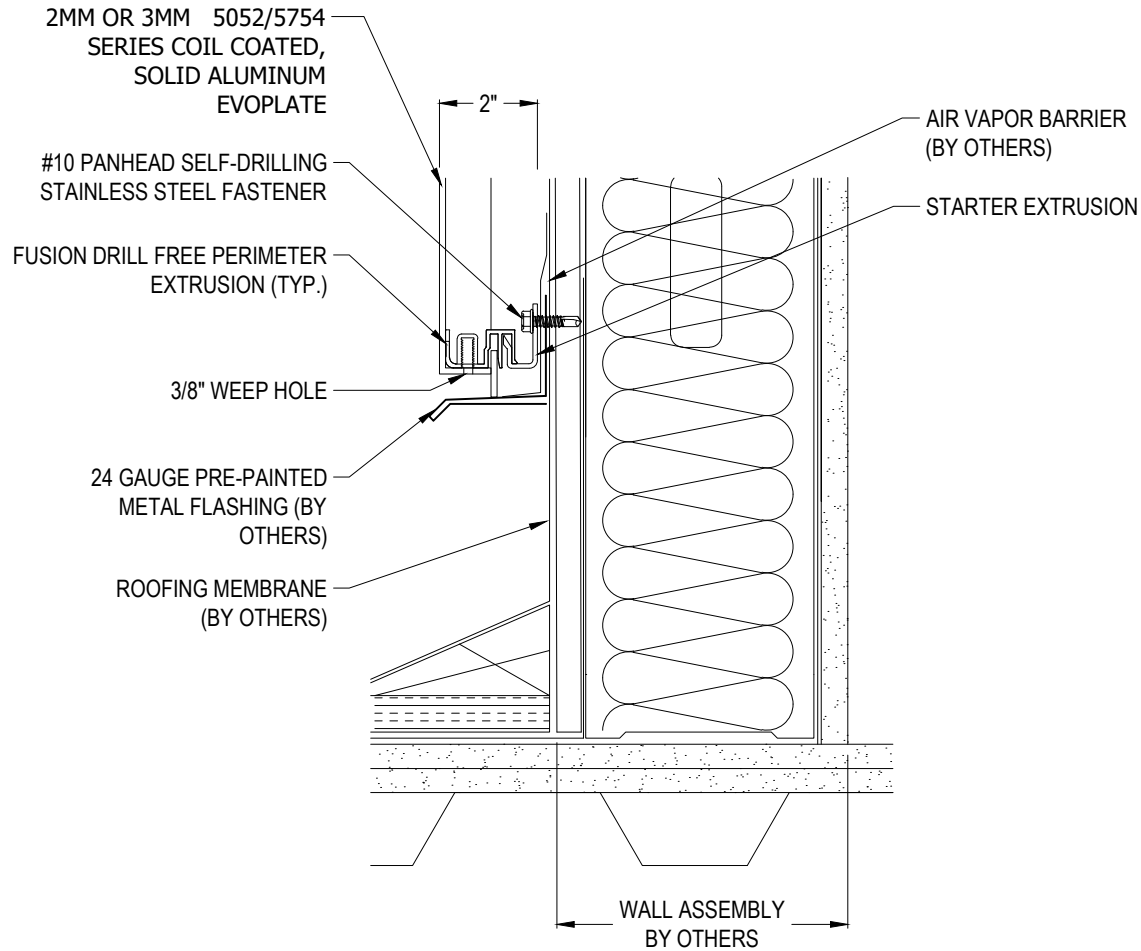
PARAPET CAP DETAIL OPTION 2 (CF-F02)



CARTER
ARCHITECTURAL PANELS INC

"Changing the Standard by Design"
BUILDING ENVELOPE SOLUTIONS

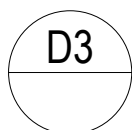
CARTER ARCHITECTURAL PANELS INC.
221 E. WILLIS ROAD, BUILDING A, UNIT 18
CHANDLER, AZ 85286
TOLL FREE: 1-844-888-5088
PHONE: (480) 899-3955
FAX: (480) 899-3613
www.carterpanels.com



SECTION DETAIL

NOTES:

1. INSTALLATION TO BE COMPLETED IN ACCORDANCE WITH MANUFACTURER'S SPECIFICATIONS.
2. DO NOT SCALE DRAWING.
3. THIS DRAWING IS INTENDED FOR USE BY ARCHITECTS, ENGINEERS, CONTRACTORS, CONSULTANTS AND DESIGN PROFESSIONALS FOR PLANNING PURPOSES ONLY. THIS DRAWING MAY NOT BE USED FOR CONSTRUCTION.
4. ALL INFORMATION CONTAINED HEREIN WAS CURRENT AT THE TIME OF DEVELOPMENT BUT MUST BE REVIEWED AND APPROVED BY THE PRODUCT MANUFACTURER TO BE CONSIDERED ACCURATE.
5. CONTRACTOR'S NOTE: FOR PRODUCT AND COMPANY INFORMATION VISIT www.CADdetails.com/info AND ENTER REFERENCE NUMBER : FUSION - EVOPLATE-D3



FUSION™ DRILLFREE™ PANEL SYSTEM

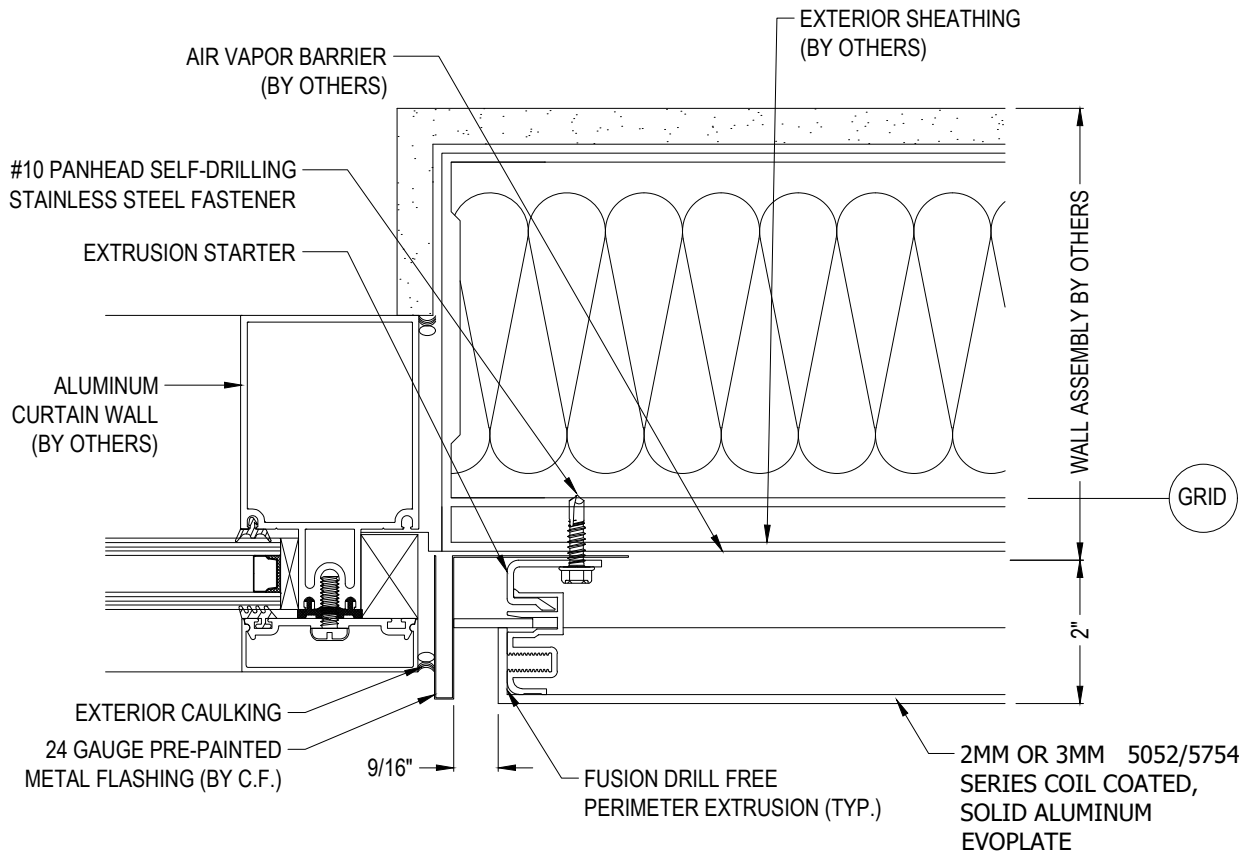
BASE DETAIL - ROOF / WALL TRANSITION (CF-F03)



CARTER
ARCHITECTURAL PANELS INC

"Changing the Standard by Design"
BUILDING ENVELOPE SOLUTIONS

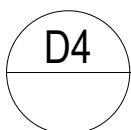
CARTER ARCHITECTURAL PANELS INC.
221 E. WILLIS ROAD, BUILDING A, UNIT 18
CHANDLER, AZ 85286
TOLL FREE: 1-844-888-5088
PHONE: (480) 899-3955
FAX: (480) 899-3613
www.carterpanels.com



SECTION DETAIL

NOTES:

1. INSTALLATION TO BE COMPLETED IN ACCORDANCE WITH MANUFACTURER'S SPECIFICATIONS.
2. DO NOT SCALE DRAWING.
3. THIS DRAWING IS INTENDED FOR USE BY ARCHITECTS, ENGINEERS, CONTRACTORS, CONSULTANTS AND DESIGN PROFESSIONALS FOR PLANNING PURPOSES ONLY. THIS DRAWING MAY NOT BE USED FOR CONSTRUCTION.
4. ALL INFORMATION CONTAINED HEREIN WAS CURRENT AT THE TIME OF DEVELOPMENT BUT MUST BE REVIEWED AND APPROVED BY THE PRODUCT MANUFACTURER TO BE CONSIDERED ACCURATE.
5. CONTRACTOR'S NOTE: FOR PRODUCT AND COMPANY INFORMATION VISIT www.CADdetails.com/info AND ENTER REFERENCE NUMBER : FUSION - EVOPLATE-D4



FUSION™ DRILLFREE™ PANEL SYSTEM

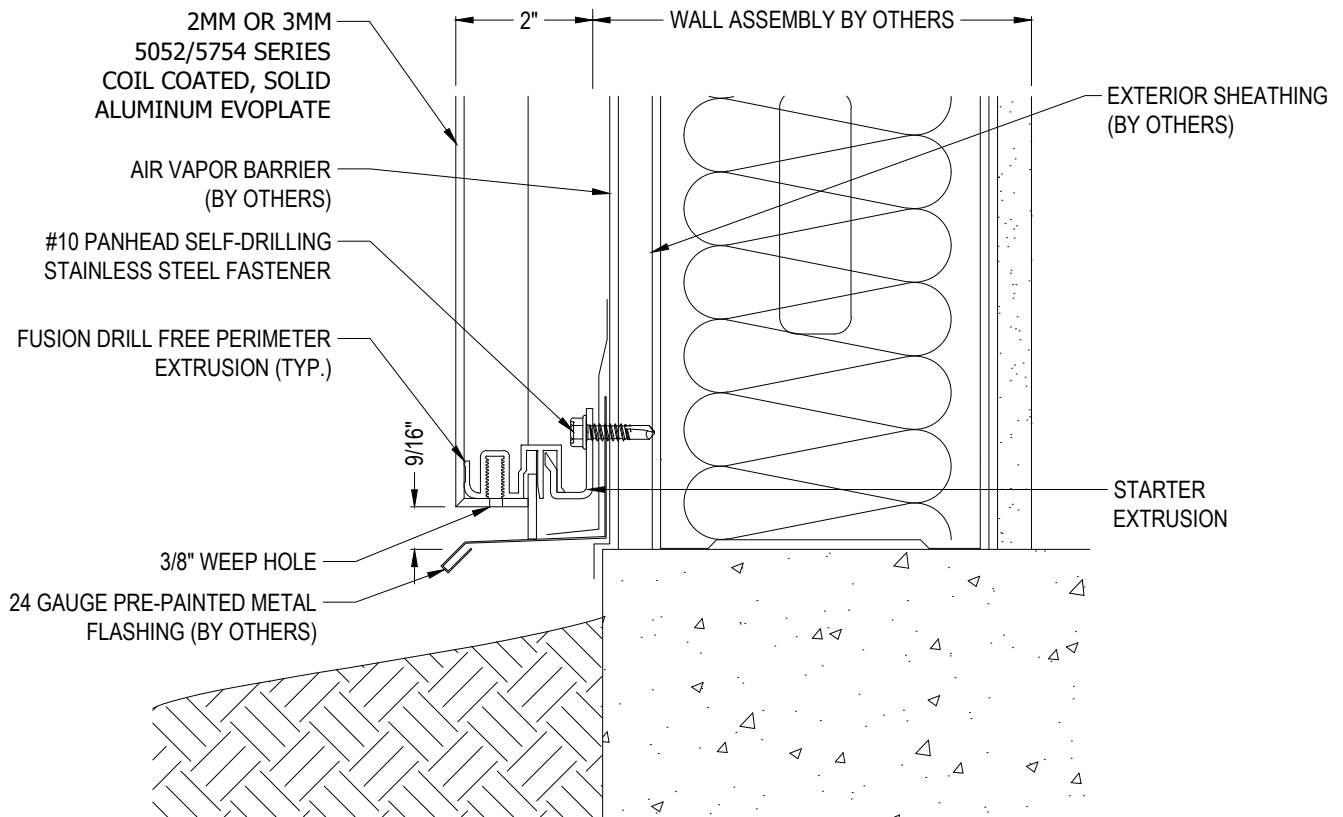
JAMB DETAIL (CF-F04)



CARTER
ARCHITECTURAL PANELS INC

"Changing the Standard by Design"
BUILDING ENVELOPE SOLUTIONS

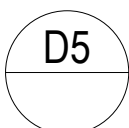
CARTER ARCHITECTURAL PANELS INC.
221 E. WILLIS ROAD, BUILDING A, UNIT 18
CHANDLER, AZ 85286
TOLL FREE: 1-844-888-5088
PHONE: (480) 899-3955
FAX: (480) 899-3613
www.carterpanels.com



SECTION DETAIL

NOTES:

1. INSTALLATION TO BE COMPLETED IN ACCORDANCE WITH MANUFACTURER'S SPECIFICATIONS.
2. DO NOT SCALE DRAWING.
3. THIS DRAWING IS INTENDED FOR USE BY ARCHITECTS, ENGINEERS, CONTRACTORS, CONSULTANTS AND DESIGN PROFESSIONALS FOR PLANNING PURPOSES ONLY. THIS DRAWING MAY NOT BE USED FOR CONSTRUCTION.
4. ALL INFORMATION CONTAINED HEREIN WAS CURRENT AT THE TIME OF DEVELOPMENT BUT MUST BE REVIEWED AND APPROVED BY THE PRODUCT MANUFACTURER TO BE CONSIDERED ACCURATE.
5. CONTRACTOR'S NOTE: FOR PRODUCT AND COMPANY INFORMATION VISIT www.CADdetails.com/info AND ENTER REFERENCE NUMBER : FUSION - EVOPLATE-D5



FUSION™ DRILLFREE™ PANEL SYSTEM

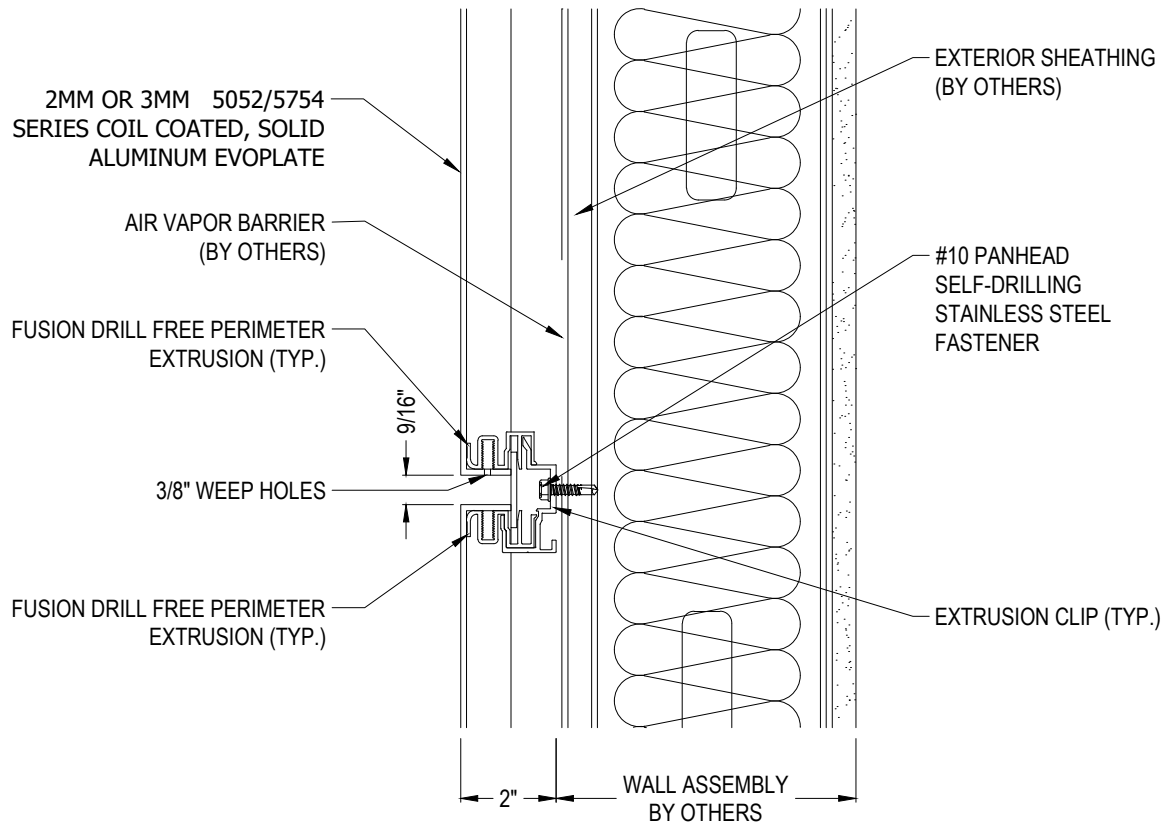
SECTION BASE DETAIL (CF-F05)



CARTER
ARCHITECTURAL PANELS INC

"Changing the Standard by Design"
BUILDING ENVELOPE SOLUTIONS

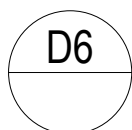
CARTER ARCHITECTURAL PANELS INC.
221 E. WILLIS ROAD, BUILDING A, UNIT 18
CHANDLER, AZ 85286
TOLL FREE: 1-844-888-5088
PHONE: (480) 899-3955
FAX: (480) 899-3613
www.carterpanels.com



SECTION DETAIL

NOTES:

1. INSTALLATION TO BE COMPLETED IN ACCORDANCE WITH MANUFACTURER'S SPECIFICATIONS.
2. DO NOT SCALE DRAWING.
3. THIS DRAWING IS INTENDED FOR USE BY ARCHITECTS, ENGINEERS, CONTRACTORS, CONSULTANTS AND DESIGN PROFESSIONALS FOR PLANNING PURPOSES ONLY. THIS DRAWING MAY NOT BE USED FOR CONSTRUCTION.
4. ALL INFORMATION CONTAINED HEREIN WAS CURRENT AT THE TIME OF DEVELOPMENT BUT MUST BE REVIEWED AND APPROVED BY THE PRODUCT MANUFACTURER TO BE CONSIDERED ACCURATE.
5. CONTRACTOR'S NOTE: FOR PRODUCT AND COMPANY INFORMATION VISIT www.CADdetails.com/info AND ENTER REFERENCE NUMBER : FUSION - EVOPLATE-D6



FUSION™ DRILLFREE™ PANEL SYSTEM

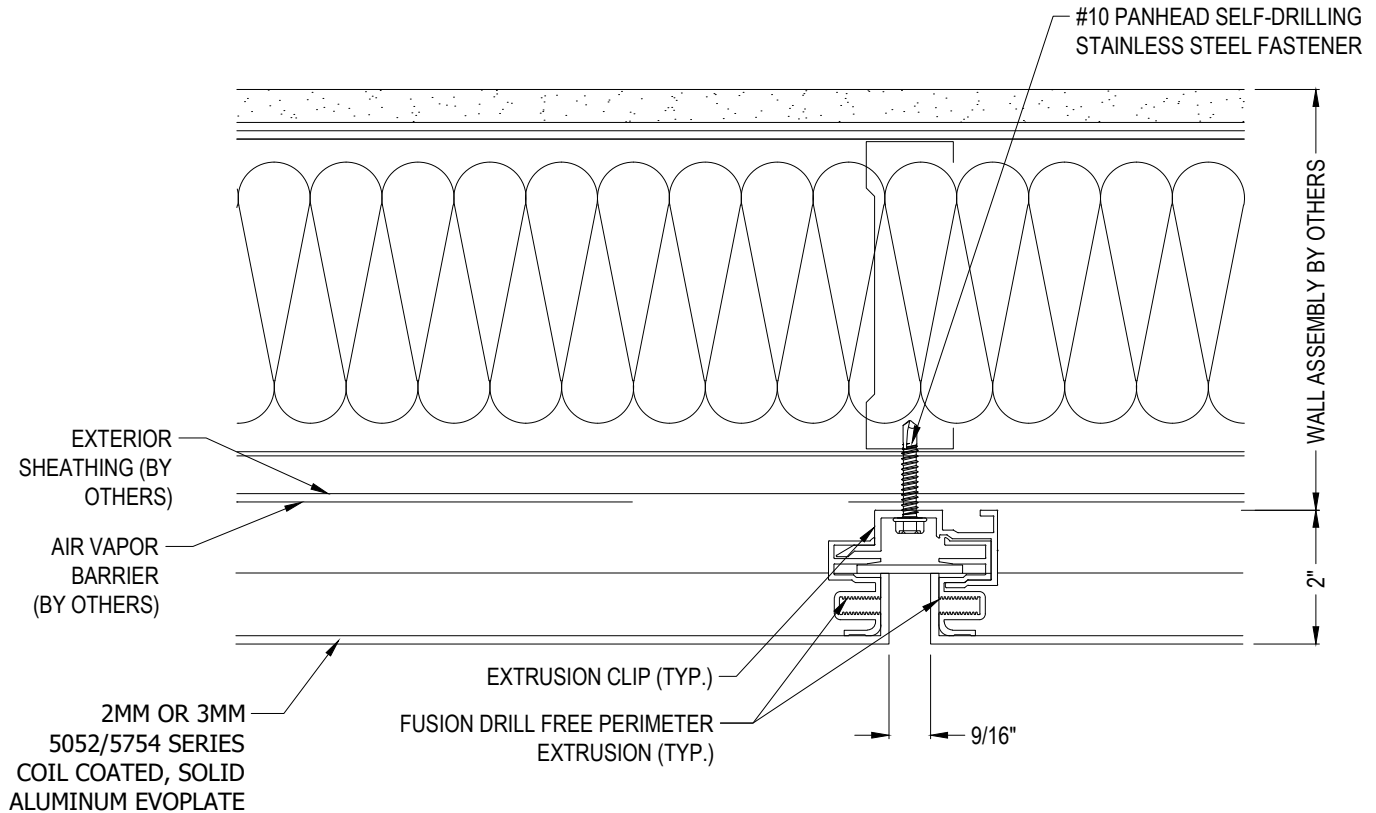
HORIZONTAL JOINT DETAIL (CF-F06)



CARTER
ARCHITECTURAL PANELS INC

"Changing the Standard by Design"
BUILDING ENVELOPE SOLUTIONS

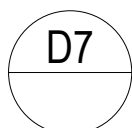
CARTER ARCHITECTURAL PANELS INC.
221 E. WILLIS ROAD, BUILDING A, UNIT 18
CHANDLER, AZ 85286
TOLL FREE: 1-844-888-5088
PHONE: (480) 899-3955
FAX: (480) 899-3613
www.carterpanels.com



SECTION DETAIL

NOTES:

1. INSTALLATION TO BE COMPLETED IN ACCORDANCE WITH MANUFACTURER'S SPECIFICATIONS.
2. DO NOT SCALE DRAWING.
3. THIS DRAWING IS INTENDED FOR USE BY ARCHITECTS, ENGINEERS, CONTRACTORS, CONSULTANTS AND DESIGN PROFESSIONALS FOR PLANNING PURPOSES ONLY. THIS DRAWING MAY NOT BE USED FOR CONSTRUCTION.
4. ALL INFORMATION CONTAINED HEREIN WAS CURRENT AT THE TIME OF DEVELOPMENT BUT MUST BE REVIEWED AND APPROVED BY THE PRODUCT MANUFACTURER TO BE CONSIDERED ACCURATE.
5. CONTRACTOR'S NOTE: FOR PRODUCT AND COMPANY INFORMATION VISIT www.CADdetails.com/info AND ENTER REFERENCE NUMBER : FUSION - EVOPLATE-D7



FUSION™ DRILLFREE™ PANEL SYSTEM

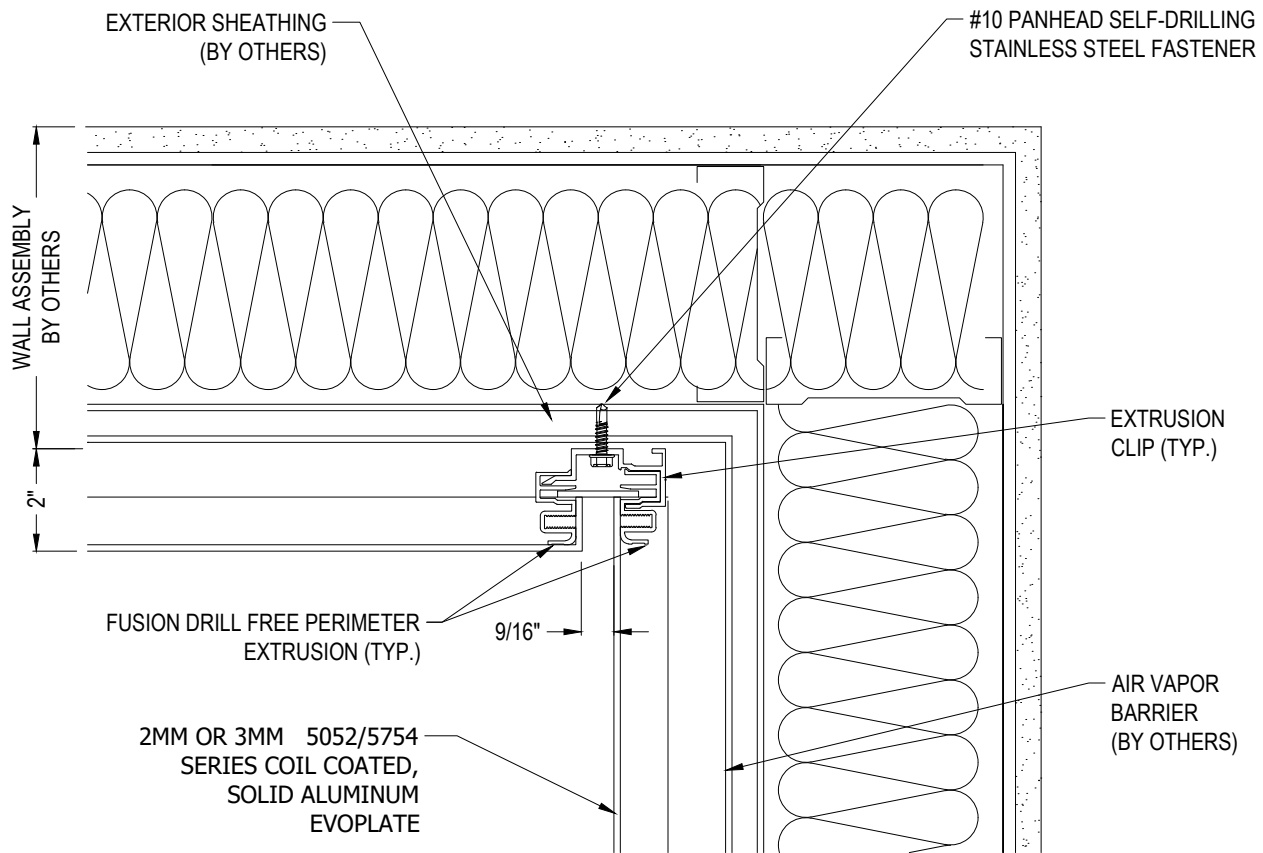
VERTICAL JOINT DETAIL (CF-F07)



CARTER
ARCHITECTURAL PANELS INC

"Changing the Standard by Design"
BUILDING ENVELOPE SOLUTIONS

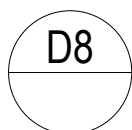
CARTER ARCHITECTURAL PANELS INC.
221 E. WILLIS ROAD, BUILDING A, UNIT 18
CHANDLER, AZ 85286
TOLL FREE: 1-844-888-5088
PHONE: (480) 899-3955
FAX: (480) 899-3613
www.carterpanels.com



SECTION DETAIL

NOTES:

1. INSTALLATION TO BE COMPLETED IN ACCORDANCE WITH MANUFACTURER'S SPECIFICATIONS.
2. DO NOT SCALE DRAWING.
3. THIS DRAWING IS INTENDED FOR USE BY ARCHITECTS, ENGINEERS, CONTRACTORS, CONSULTANTS AND DESIGN PROFESSIONALS FOR PLANNING PURPOSES ONLY. THIS DRAWING MAY NOT BE USED FOR CONSTRUCTION.
4. ALL INFORMATION CONTAINED HEREIN WAS CURRENT AT THE TIME OF DEVELOPMENT BUT MUST BE REVIEWED AND APPROVED BY THE PRODUCT MANUFACTURER TO BE CONSIDERED ACCURATE.
5. CONTRACTOR'S NOTE: FOR PRODUCT AND COMPANY INFORMATION VISIT www.CADdetails.com/info AND ENTER REFERENCE NUMBER : FUSION - EVOPLATE-D8



FUSION™ DRILLFREE™ PANEL SYSTEM

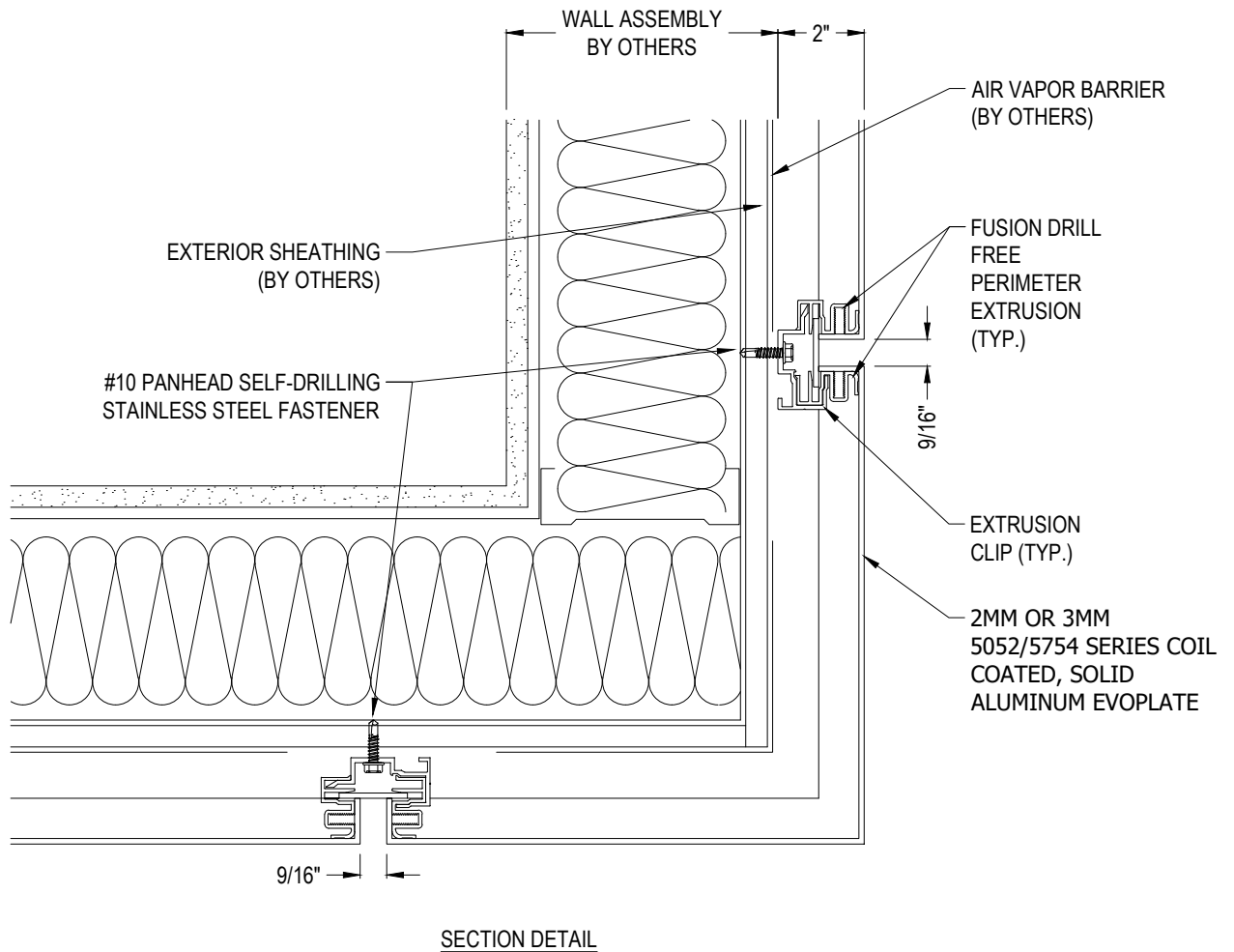
INSIDE CORNER DETAIL (CF-F08)



CARTER
ARCHITECTURAL PANELS INC

"Changing the Standard by Design"
BUILDING ENVELOPE SOLUTIONS

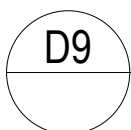
CARTER ARCHITECTURAL PANELS INC.
221 E. WILLIS ROAD, BUILDING A, UNIT 18
CHANDLER, AZ 85286
TOLL FREE: 1-844-888-5088
PHONE: (480) 899-3955
FAX: (480) 899-3613
www.carterpanels.com



SECTION DETAIL

NOTES:

1. INSTALLATION TO BE COMPLETED IN ACCORDANCE WITH MANUFACTURER'S SPECIFICATIONS.
2. DO NOT SCALE DRAWING.
3. THIS DRAWING IS INTENDED FOR USE BY ARCHITECTS, ENGINEERS, CONTRACTORS, CONSULTANTS AND DESIGN PROFESSIONALS FOR PLANNING PURPOSES ONLY. THIS DRAWING MAY NOT BE USED FOR CONSTRUCTION.
4. ALL INFORMATION CONTAINED HEREIN WAS CURRENT AT THE TIME OF DEVELOPMENT BUT MUST BE REVIEWED AND APPROVED BY THE PRODUCT MANUFACTURER TO BE CONSIDERED ACCURATE.
5. CONTRACTOR'S NOTE: FOR PRODUCT AND COMPANY INFORMATION VISIT www.CADdetails.com/info AND ENTER REFERENCE NUMBER : FUSION - EVOPLATE-D9



FUSION™ DRILLFREE™ PANEL SYSTEM

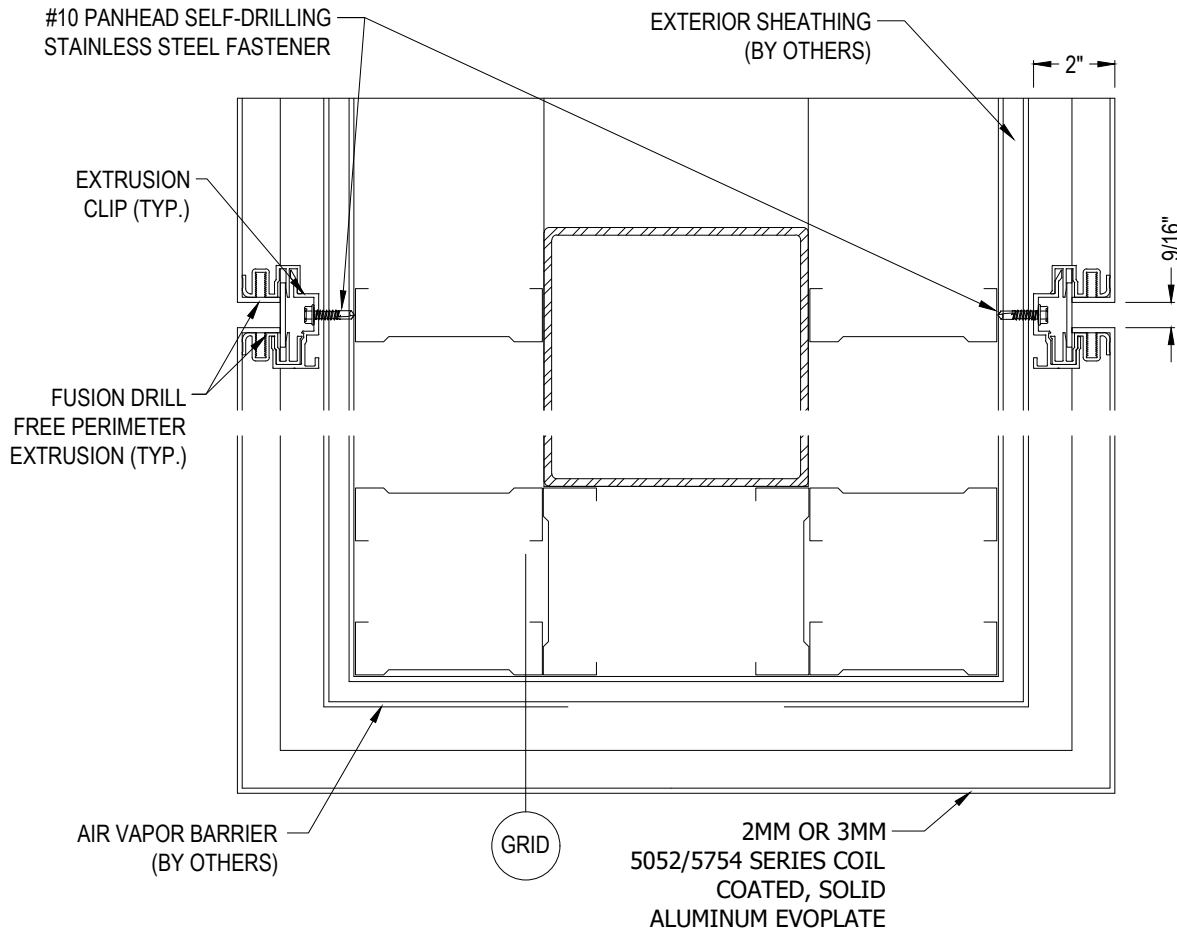
OUTSIDE CORNER DETAIL (CF-F09)



CARTER
ARCHITECTURAL PANELS INC

"Changing the Standard by Design"
BUILDING ENVELOPE SOLUTIONS

CARTER ARCHITECTURAL PANELS INC.
221 E. WILLIS ROAD, BUILDING A, UNIT 18
CHANDLER, AZ 85286
TOLL FREE: 1-844-888-5088
PHONE: (480) 899-3955
FAX: (480) 899-3613
www.carterpanels.com



SECTION DETAIL

NOTES:

1. INSTALLATION TO BE COMPLETED IN ACCORDANCE WITH MANUFACTURER'S SPECIFICATIONS.
2. DO NOT SCALE DRAWING.
3. THIS DRAWING IS INTENDED FOR USE BY ARCHITECTS, ENGINEERS, CONTRACTORS, CONSULTANTS AND DESIGN PROFESSIONALS FOR PLANNING PURPOSES ONLY. THIS DRAWING MAY NOT BE USED FOR CONSTRUCTION.
4. ALL INFORMATION CONTAINED HEREIN WAS CURRENT AT THE TIME OF DEVELOPMENT BUT MUST BE REVIEWED AND APPROVED BY THE PRODUCT MANUFACTURER TO BE CONSIDERED ACCURATE.
5. CONTRACTOR'S NOTE: FOR PRODUCT AND COMPANY INFORMATION VISIT www.CADdetails.com/info AND ENTER REFERENCE NUMBER : FUSION - EVOPLATE-D10

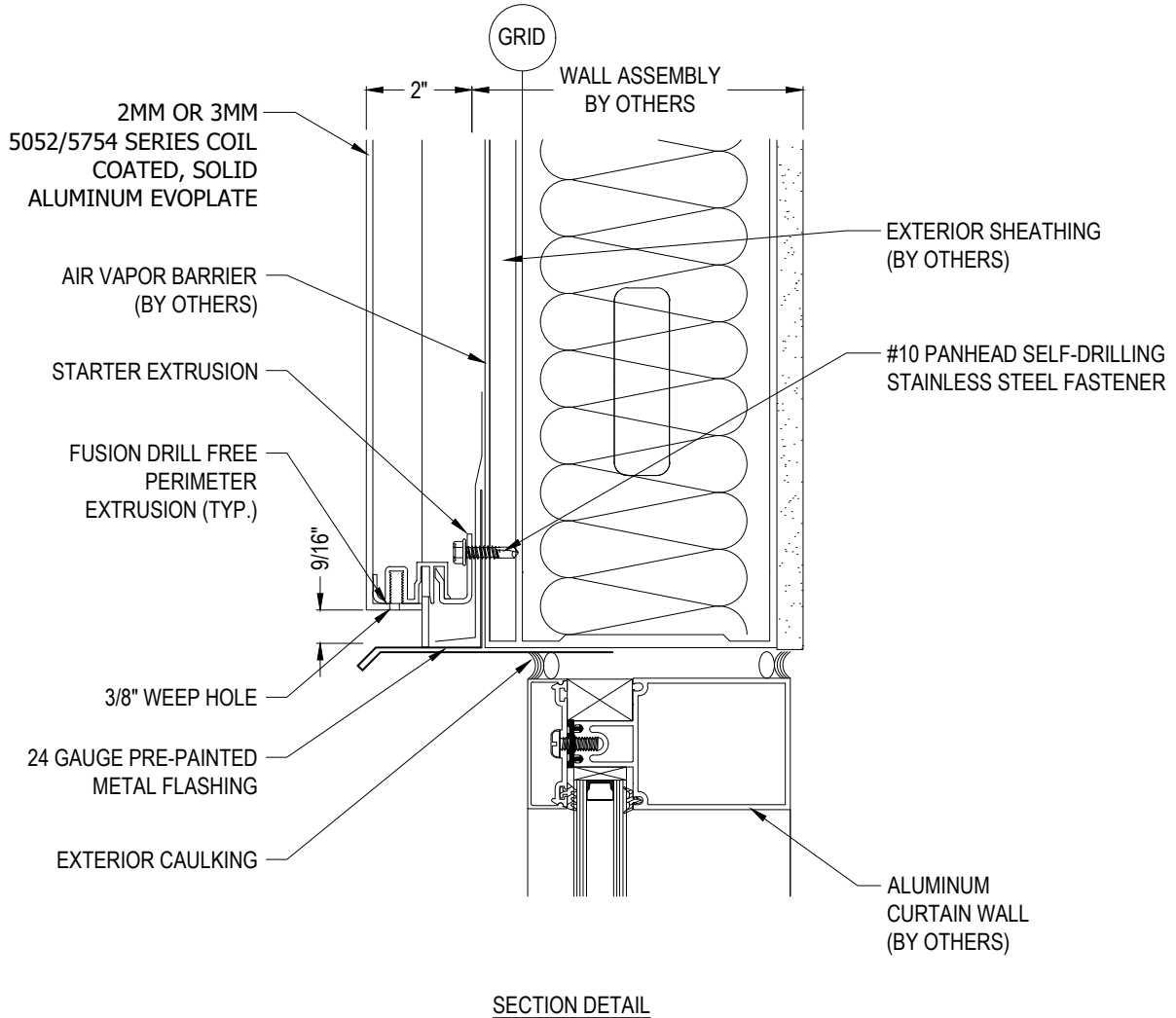
D10 FUSION™ DRILLFREE™ PANEL SYSTEM
COLUMN DETAIL (CF-F10)



CARTER
ARCHITECTURAL PANELS INC

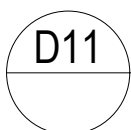
"Changing the Standard by Design"
BUILDING ENVELOPE SOLUTIONS

CARTER ARCHITECTURAL PANELS INC.
221 E. WILLIS ROAD, BUILDING A, UNIT 18
CHANDLER, AZ 85286
TOLL FREE: 1-844-888-5088
PHONE: (480) 899-3955
FAX: (480) 899-3613
www.carterpanels.com



NOTES:

1. INSTALLATION TO BE COMPLETED IN ACCORDANCE WITH MANUFACTURER'S SPECIFICATIONS.
2. DO NOT SCALE DRAWING.
3. THIS DRAWING IS INTENDED FOR USE BY ARCHITECTS, ENGINEERS, CONTRACTORS, CONSULTANTS AND DESIGN PROFESSIONALS FOR PLANNING PURPOSES ONLY. THIS DRAWING MAY NOT BE USED FOR CONSTRUCTION.
4. ALL INFORMATION CONTAINED HEREIN WAS CURRENT AT THE TIME OF DEVELOPMENT BUT MUST BE REVIEWED AND APPROVED BY THE PRODUCT MANUFACTURER TO BE CONSIDERED ACCURATE.
5. CONTRACTOR'S NOTE: FOR PRODUCT AND COMPANY INFORMATION VISIT www.CADdetails.com/info AND ENTER REFERENCE NUMBER : FUSION - EVOPLATE-D11



FUSION™ DRILLFREE™ PANEL SYSTEM

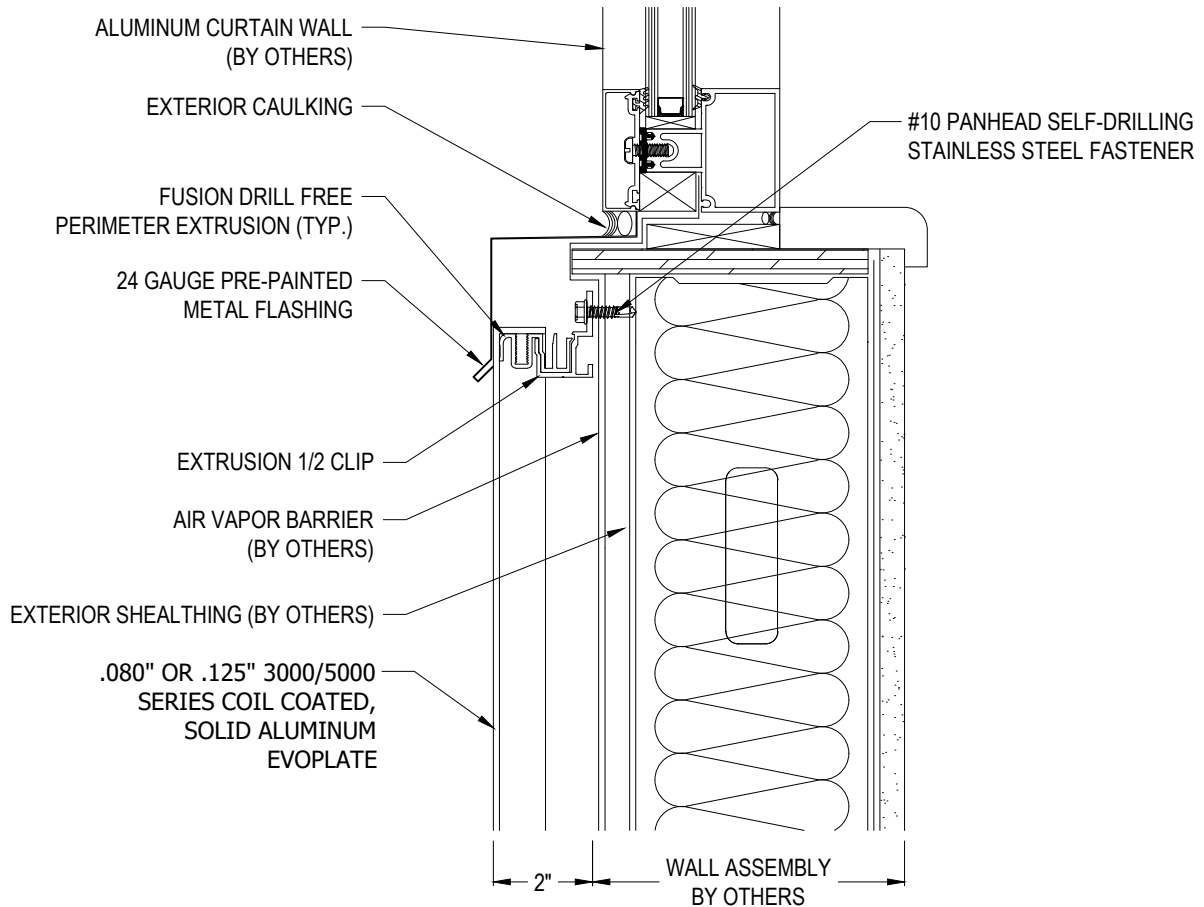
HEAD DETAIL (CF-F11)



CARTER
ARCHITECTURAL PANELS INC

"Changing the Standard by Design"
BUILDING ENVELOPE SOLUTIONS

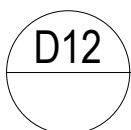
CARTER ARCHITECTURAL PANELS INC.
221 E. WILLIS ROAD, BUILDING A, UNIT 18
CHANDLER, AZ 85286
TOLL FREE: 1-844-888-5088
PHONE: (480) 899-3955
FAX: (480) 899-3613
www.carterpanels.com



SECTION DETAIL

NOTES:

1. INSTALLATION TO BE COMPLETED IN ACCORDANCE WITH MANUFACTURER'S SPECIFICATIONS.
2. DO NOT SCALE DRAWING.
3. THIS DRAWING IS INTENDED FOR USE BY ARCHITECTS, ENGINEERS, CONTRACTORS, CONSULTANTS AND DESIGN PROFESSIONALS FOR PLANNING PURPOSES ONLY. THIS DRAWING MAY NOT BE USED FOR CONSTRUCTION.
4. ALL INFORMATION CONTAINED HEREIN WAS CURRENT AT THE TIME OF DEVELOPMENT BUT MUST BE REVIEWED AND APPROVED BY THE PRODUCT MANUFACTURER TO BE CONSIDERED ACCURATE.
5. CONTRACTOR'S NOTE: FOR PRODUCT AND COMPANY INFORMATION VISIT www.CADdetails.com/info AND ENTER REFERENCE NUMBER : FUSION - EVOPLATE-D12



FUSION™ DRILLFREE™ PANEL SYSTEM

SILL DETAIL (CF-F12)