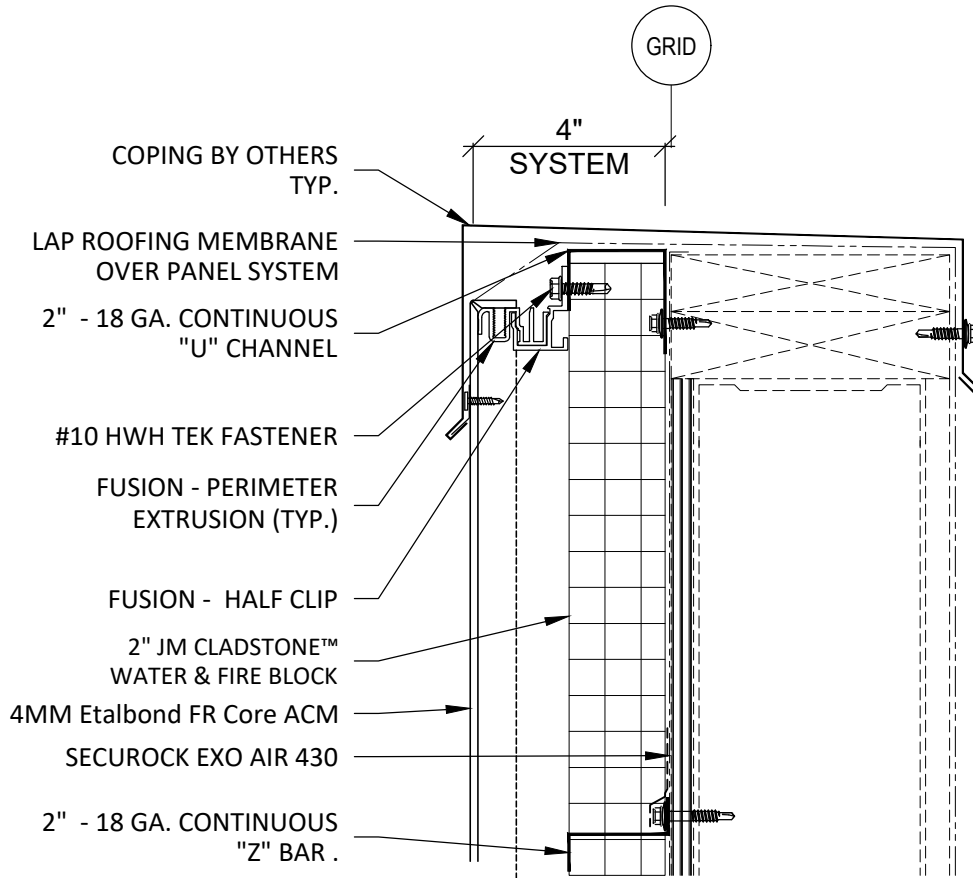




CARTER
ARCHITECTURAL PANELS INC

"Changing the Standard by Design"
BUILDING ENVELOPE SOLUTIONS

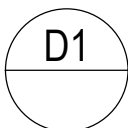
CARTER ARCHITECTURAL PANELS INC
7925 E RAY RD. STE 133
MESA, AZ 85212
TOLL FREE: 1-844-888-5088
PHONE: (480) 899-3955
FAX: (480) 899-3613
www.carterpanels.com



SECTION DETAIL

NOTES:

1. INSTALLATION TO BE COMPLETED IN ACCORDANCE WITH MANUFACTURER'S SPECIFICATIONS.
2. DO NOT SCALE DRAWING.
3. THIS DRAWING IS INTENDED FOR USE BY ARCHITECTS, ENGINEERS, CONTRACTORS, CONSULTANTS AND DESIGN PROFESSIONALS FOR PLANNING PURPOSES ONLY. THIS DRAWING MAY NOT BE USED FOR CONSTRUCTION.
4. ALL INFORMATION CONTAINED HEREIN WAS CURRENT AT THE TIME OF DEVELOPMENT BUT MUST BE REVIEWED AND APPROVED BY THE PRODUCT MANUFACTURER TO BE CONSIDERED ACCURATE.
5. CONTRACTOR'S NOTE: FOR PRODUCT AND COMPANY INFORMATION VISIT www.CADdetails.com/info AND ENTER REFERENCE NUMBER : FUSION285-D1



PARAPET CAP

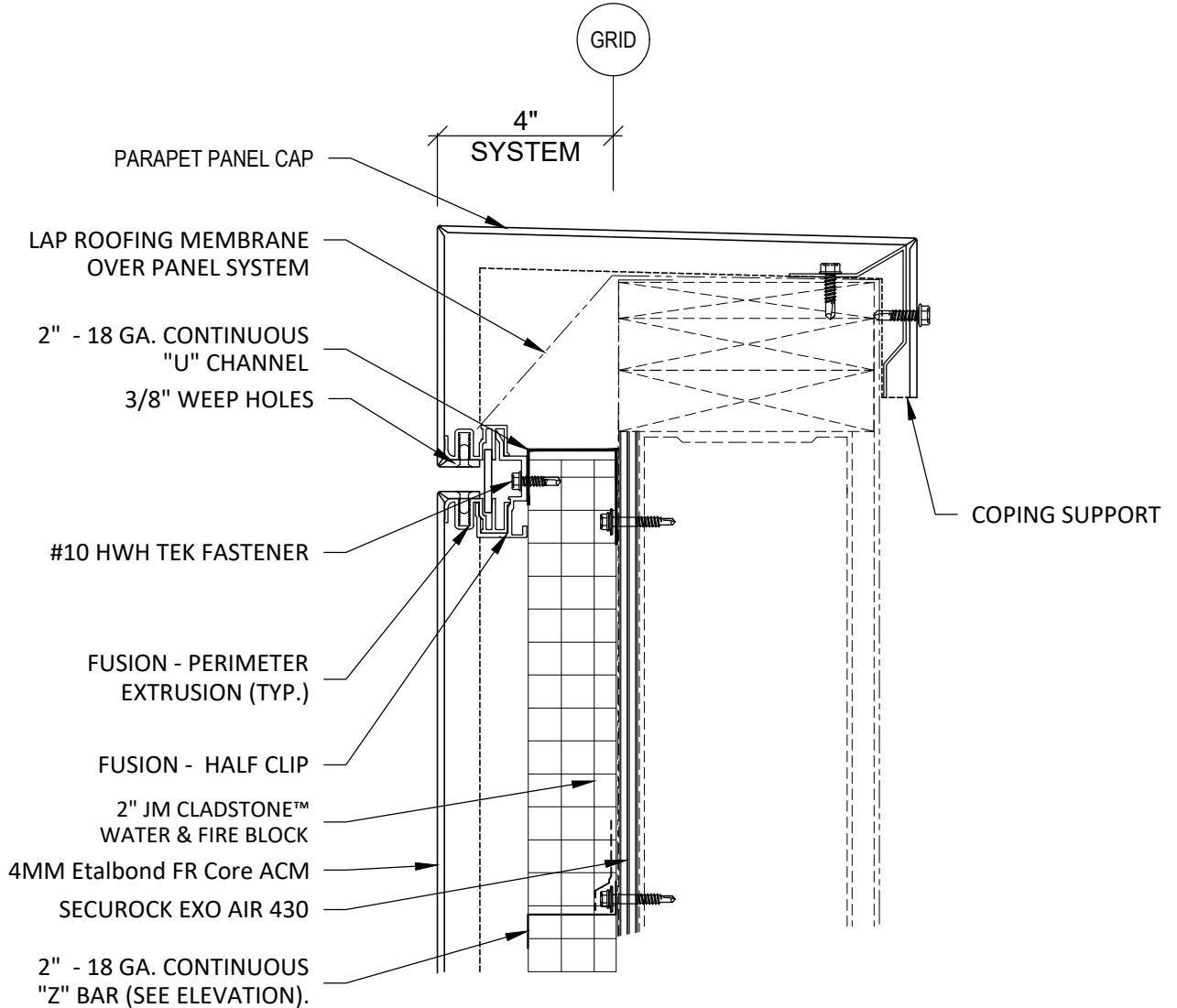
PARAPET CAP DETAIL - OPTION 1



CARTER
ARCHITECTURAL PANELS INC

"Changing the Standard by Design"
BUILDING ENVELOPE SOLUTIONS

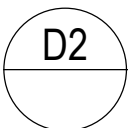
CARTER ARCHITECTURAL PANELS INC
7925 E RAY RD. STE 133
MESA, AZ 85212
TOLL FREE: 1-844-888-5088
PHONE: (480) 899-3955
FAX: (480) 899-3613
www.carterpanels.com



SECTION DETAIL

NOTES:

1. INSTALLATION TO BE COMPLETED IN ACCORDANCE WITH MANUFACTURER'S SPECIFICATIONS.
2. DO NOT SCALE DRAWING.
3. THIS DRAWING IS INTENDED FOR USE BY ARCHITECTS, ENGINEERS, CONTRACTORS, CONSULTANTS AND DESIGN PROFESSIONALS FOR PLANNING PURPOSES ONLY. THIS DRAWING MAY NOT BE USED FOR CONSTRUCTION.
4. ALL INFORMATION CONTAINED HEREIN WAS CURRENT AT THE TIME OF DEVELOPMENT BUT MUST BE REVIEWED AND APPROVED BY THE PRODUCT MANUFACTURER TO BE CONSIDERED ACCURATE.
5. CONTRACTOR'S NOTE: FOR PRODUCT AND COMPANY INFORMATION VISIT www.CADdetails.com/info AND ENTER REFERENCE NUMBER : FUSION285-D2



PARAPET CAP

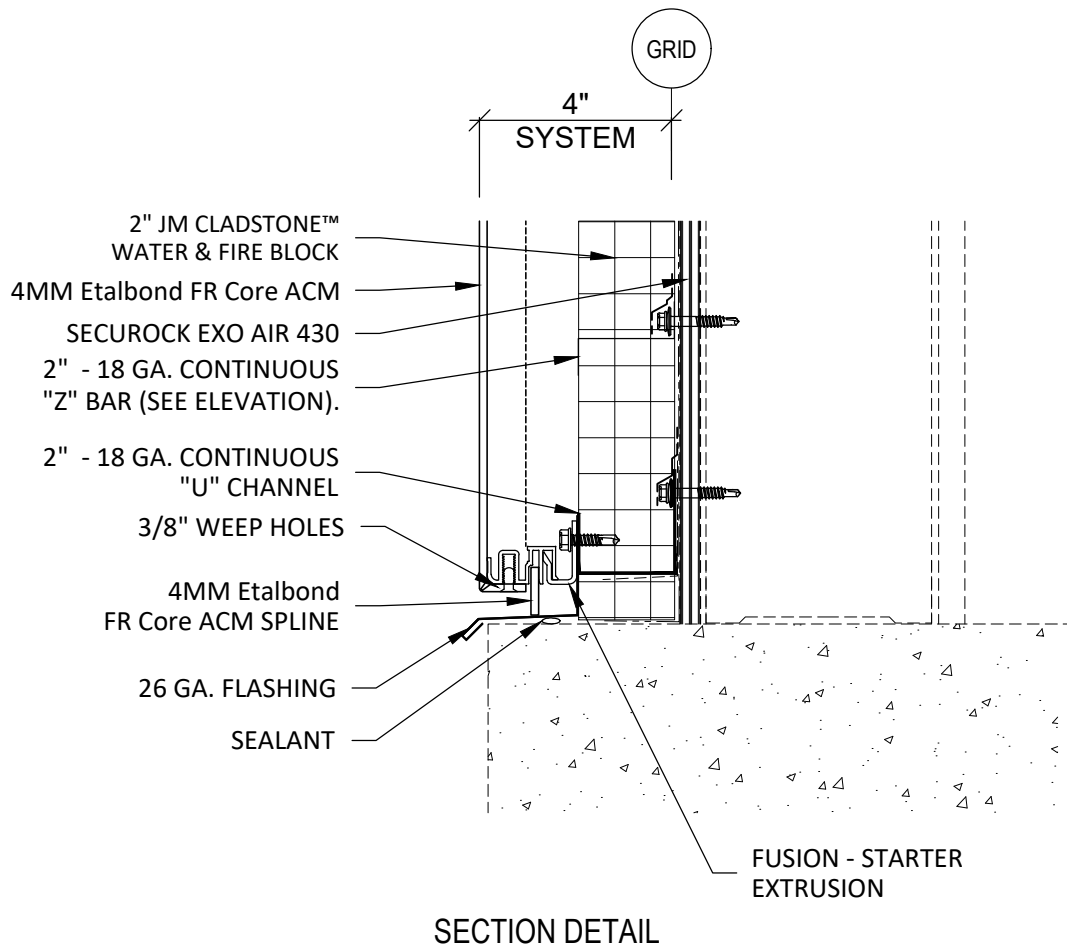
PARAPET CAP DETAIL OPTION 2



CARTER
ARCHITECTURAL PANELS INC

"Changing the Standard by Design"
BUILDING ENVELOPE SOLUTIONS

CARTER ARCHITECTURAL PANELS INC
7925 E RAY RD. STE 133
MESA, AZ 85212
TOLL FREE: 1-844-888-5088
PHONE: (480) 899-3955
FAX: (480) 899-3613
www.carterpanels.com



NOTES:

1. INSTALLATION TO BE COMPLETED IN ACCORDANCE WITH MANUFACTURER'S SPECIFICATIONS.
2. DO NOT SCALE DRAWING.
3. THIS DRAWING IS INTENDED FOR USE BY ARCHITECTS, ENGINEERS, CONTRACTORS, CONSULTANTS AND DESIGN PROFESSIONALS FOR PLANNING PURPOSES ONLY. THIS DRAWING MAY NOT BE USED FOR CONSTRUCTION.
4. ALL INFORMATION CONTAINED HEREIN WAS CURRENT AT THE TIME OF DEVELOPMENT BUT MUST BE REVIEWED AND APPROVED BY THE PRODUCT MANUFACTURER TO BE CONSIDERED ACCURATE.
5. CONTRACTOR'S NOTE: FOR PRODUCT AND COMPANY INFORMATION VISIT www.CADdetails.com/info AND ENTER REFERENCE NUMBER : FUSION285-D3

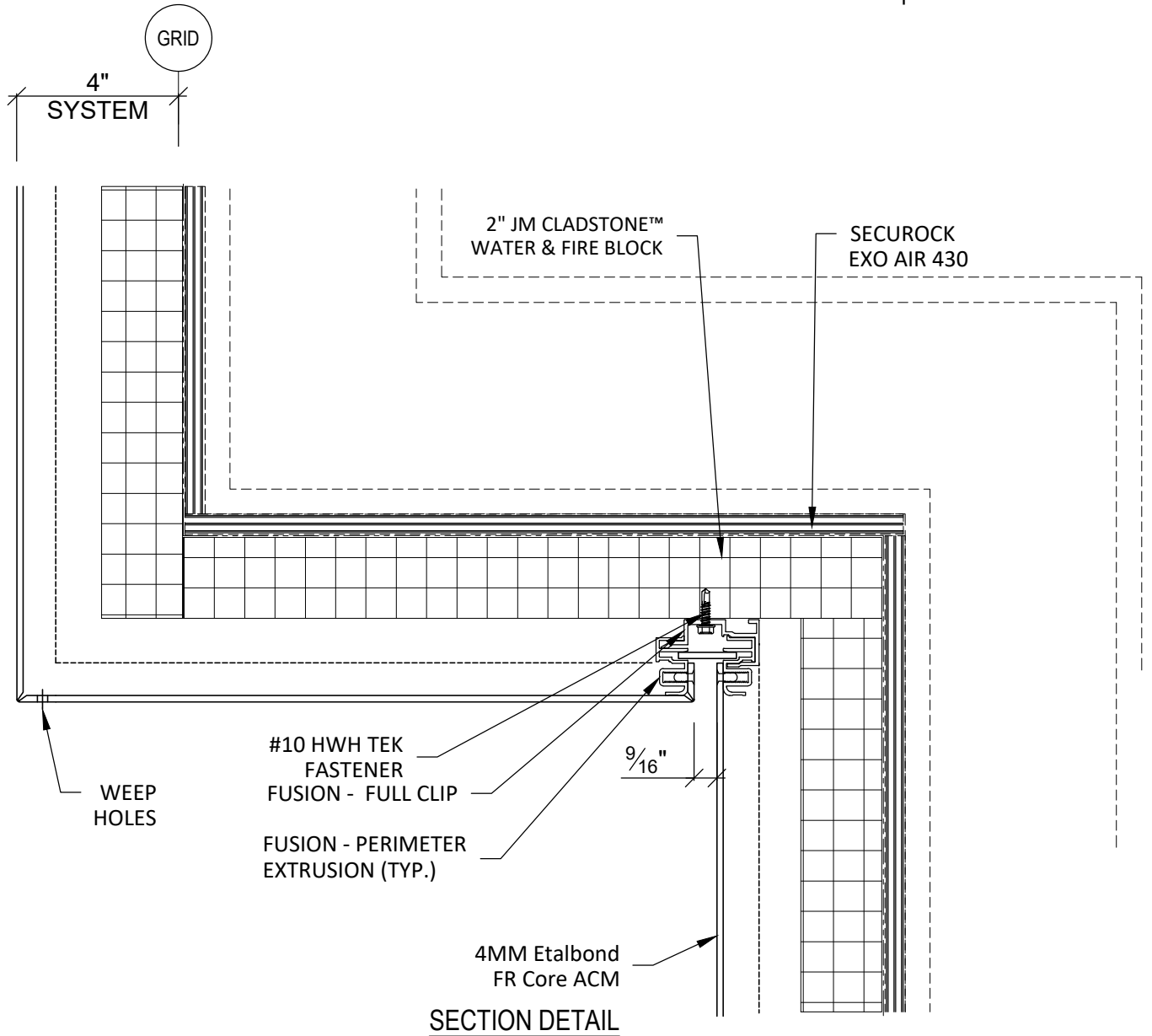
D3 BASE - SECTION VIEW



CARTER
ARCHITECTURAL PANELS INC

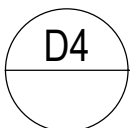
"Changing the Standard by Design"
BUILDING ENVELOPE SOLUTIONS

CARTER ARCHITECTURAL PANELS INC
7925 E RAY RD. STE 133
MESA, AZ 85212
TOLL FREE: 1-844-888-5088
PHONE: (480) 899-3955
FAX: (480) 899-3613
www.carterpanels.com



NOTES:

1. INSTALLATION TO BE COMPLETED IN ACCORDANCE WITH MANUFACTURER'S SPECIFICATIONS.
2. DO NOT SCALE DRAWING.
3. THIS DRAWING IS INTENDED FOR USE BY ARCHITECTS, ENGINEERS, CONTRACTORS, CONSULTANTS AND DESIGN PROFESSIONALS FOR PLANNING PURPOSES ONLY. THIS DRAWING MAY NOT BE USED FOR CONSTRUCTION.
4. ALL INFORMATION CONTAINED HEREIN WAS CURRENT AT THE TIME OF DEVELOPMENT BUT MUST BE REVIEWED AND APPROVED BY THE PRODUCT MANUFACTURER TO BE CONSIDERED ACCURATE.
5. CONTRACTOR'S NOTE: FOR PRODUCT AND COMPANY INFORMATION VISIT www.CADdetails.com/info AND ENTER REFERENCE NUMBER : FUSION285-D4



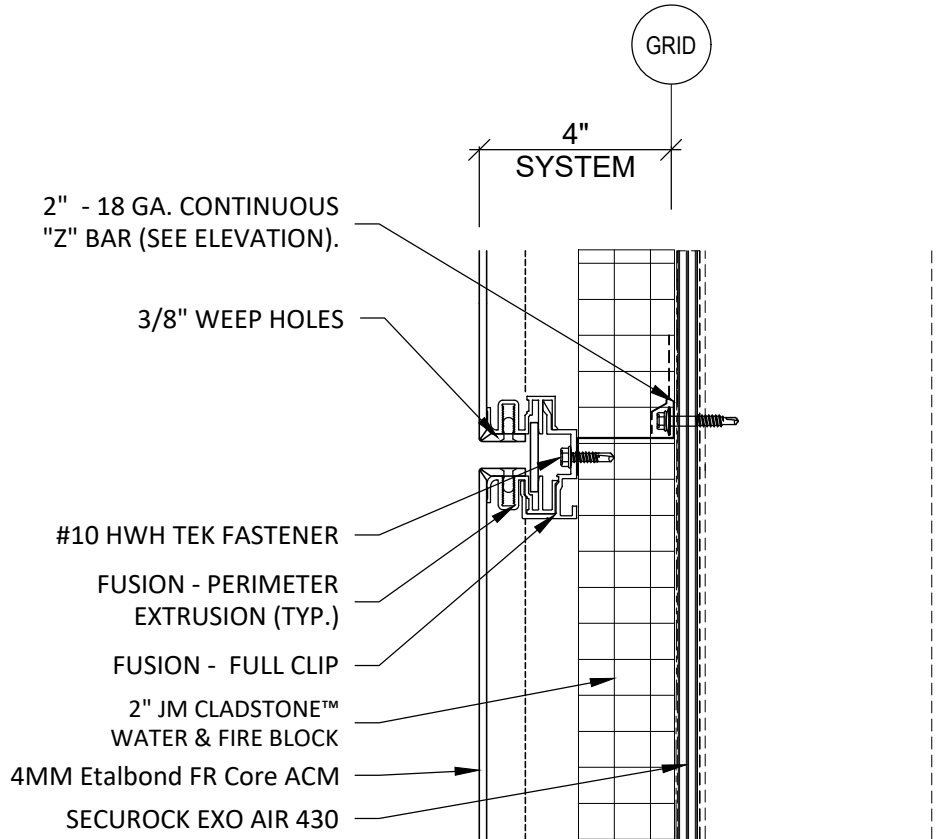
SOFFIT - INSIDE CORNER



CARTER
ARCHITECTURAL PANELS INC

"Changing the Standard by Design"
BUILDING ENVELOPE SOLUTIONS

CARTER ARCHITECTURAL PANELS INC
7925 E RAY RD. STE 133
MESA, AZ 85212
TOLL FREE: 1-844-888-5088
PHONE: (480) 899-3955
FAX: (480) 899-3613
www.carterpanels.com



SECTION DETAIL

NOTES:

1. INSTALLATION TO BE COMPLETED IN ACCORDANCE WITH MANUFACTURER'S SPECIFICATIONS.
2. DO NOT SCALE DRAWING.
3. THIS DRAWING IS INTENDED FOR USE BY ARCHITECTS, ENGINEERS, CONTRACTORS, CONSULTANTS AND DESIGN PROFESSIONALS FOR PLANNING PURPOSES ONLY. THIS DRAWING MAY NOT BE USED FOR CONSTRUCTION.
4. ALL INFORMATION CONTAINED HEREIN WAS CURRENT AT THE TIME OF DEVELOPMENT BUT MUST BE REVIEWED AND APPROVED BY THE PRODUCT MANUFACTURER TO BE CONSIDERED ACCURATE.
5. CONTRACTOR'S NOTE: FOR PRODUCT AND COMPANY INFORMATION VISIT www.CADdetails.com/info AND ENTER REFERENCE NUMBER : FUSION285-D5

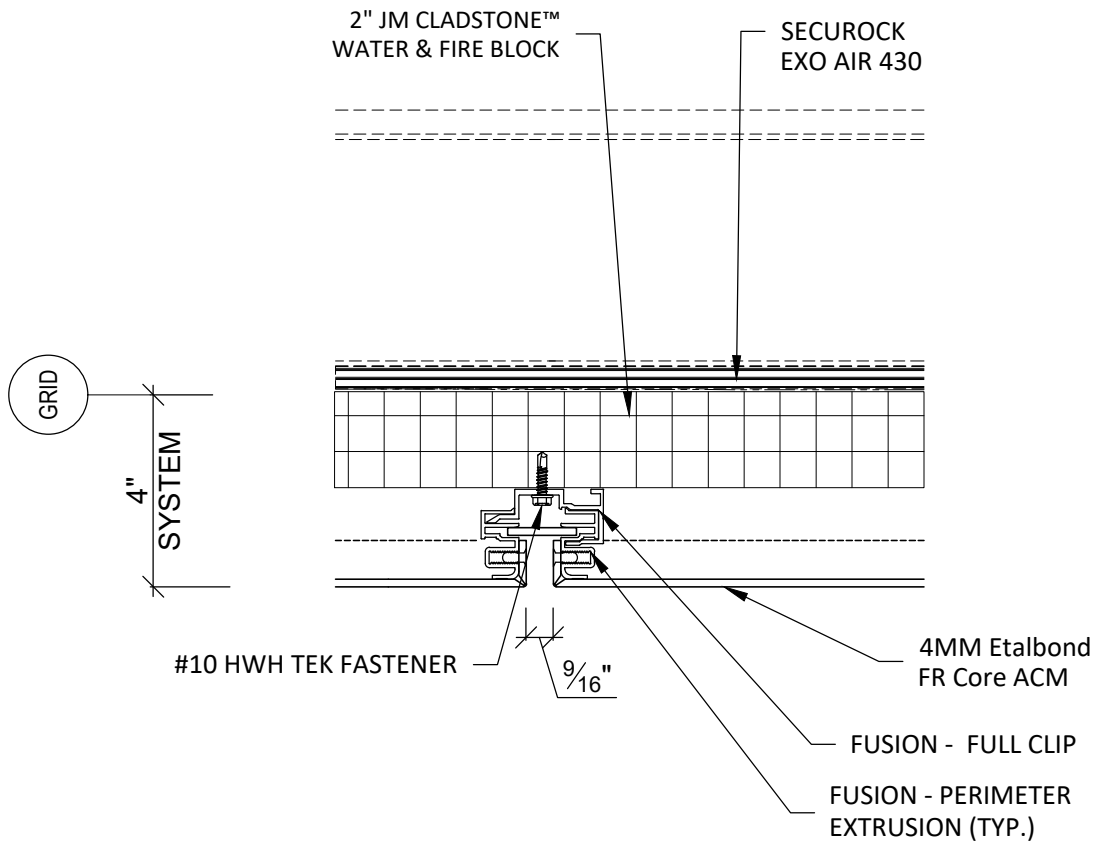
D5 TYP. JOINT - HORIZONTAL



CARTER
ARCHITECTURAL PANELS INC

"Changing the Standard by Design"
BUILDING ENVELOPE SOLUTIONS

CARTER ARCHITECTURAL PANELS INC
7925 E RAY RD. STE 133
MESA, AZ 85212
TOLL FREE: 1-844-888-5088
PHONE: (480) 899-3955
FAX: (480) 899-3613
www.carterpanels.com



SECTION DETAIL

NOTES:

1. INSTALLATION TO BE COMPLETED IN ACCORDANCE WITH MANUFACTURER'S SPECIFICATIONS.
2. DO NOT SCALE DRAWING.
3. THIS DRAWING IS INTENDED FOR USE BY ARCHITECTS, ENGINEERS, CONTRACTORS, CONSULTANTS AND DESIGN PROFESSIONALS FOR PLANNING PURPOSES ONLY. THIS DRAWING MAY NOT BE USED FOR CONSTRUCTION.
4. ALL INFORMATION CONTAINED HEREIN WAS CURRENT AT THE TIME OF DEVELOPMENT BUT MUST BE REVIEWED AND APPROVED BY THE PRODUCT MANUFACTURER TO BE CONSIDERED ACCURATE.
5. CONTRACTOR'S NOTE: FOR PRODUCT AND COMPANY INFORMATION VISIT www.CADdetails.com/info AND ENTER REFERENCE NUMBER : FUSION285-D6

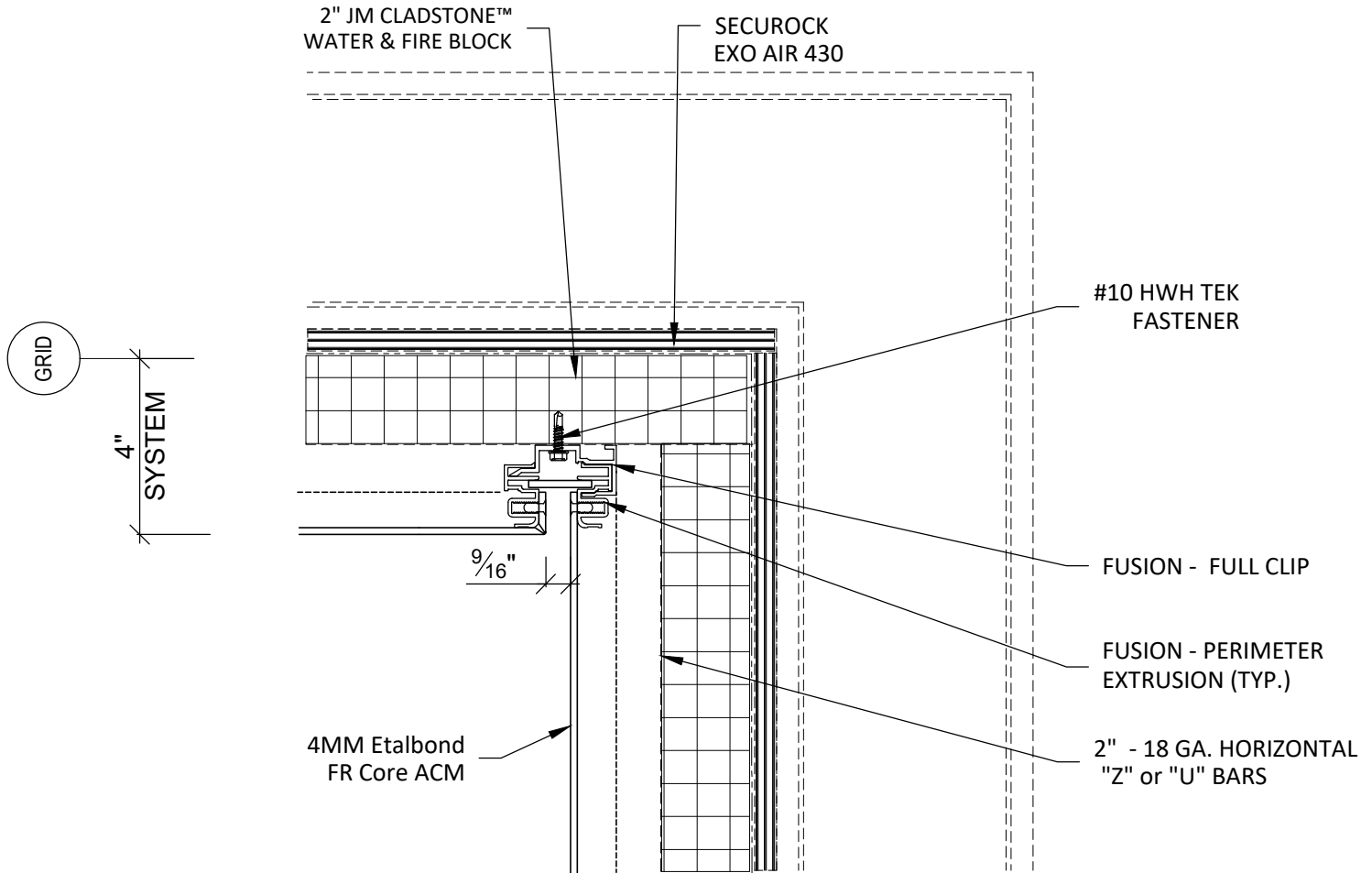
D6 TYP. JOINT - VERTICAL



CARTER
ARCHITECTURAL PANELS INC

"Changing the Standard by Design"
BUILDING ENVELOPE SOLUTIONS

CARTER ARCHITECTURAL PANELS INC
7925 E RAY RD. STE 133
MESA, AZ 85212
TOLL FREE: 1-844-888-5088
PHONE: (480) 899-3955
FAX: (480) 899-3613
www.carterpanels.com



SECTION DETAIL

NOTES:

1. INSTALLATION TO BE COMPLETED IN ACCORDANCE WITH MANUFACTURER'S SPECIFICATIONS.
2. DO NOT SCALE DRAWING.
3. THIS DRAWING IS INTENDED FOR USE BY ARCHITECTS, ENGINEERS, CONTRACTORS, CONSULTANTS AND DESIGN PROFESSIONALS FOR PLANNING PURPOSES ONLY. THIS DRAWING MAY NOT BE USED FOR CONSTRUCTION.
4. ALL INFORMATION CONTAINED HEREIN WAS CURRENT AT THE TIME OF DEVELOPMENT BUT MUST BE REVIEWED AND APPROVED BY THE PRODUCT MANUFACTURER TO BE CONSIDERED ACCURATE.
5. CONTRACTOR'S NOTE: FOR PRODUCT AND COMPANY INFORMATION VISIT www.CADdetails.com/info AND ENTER REFERENCE NUMBER : FUSION285-D7

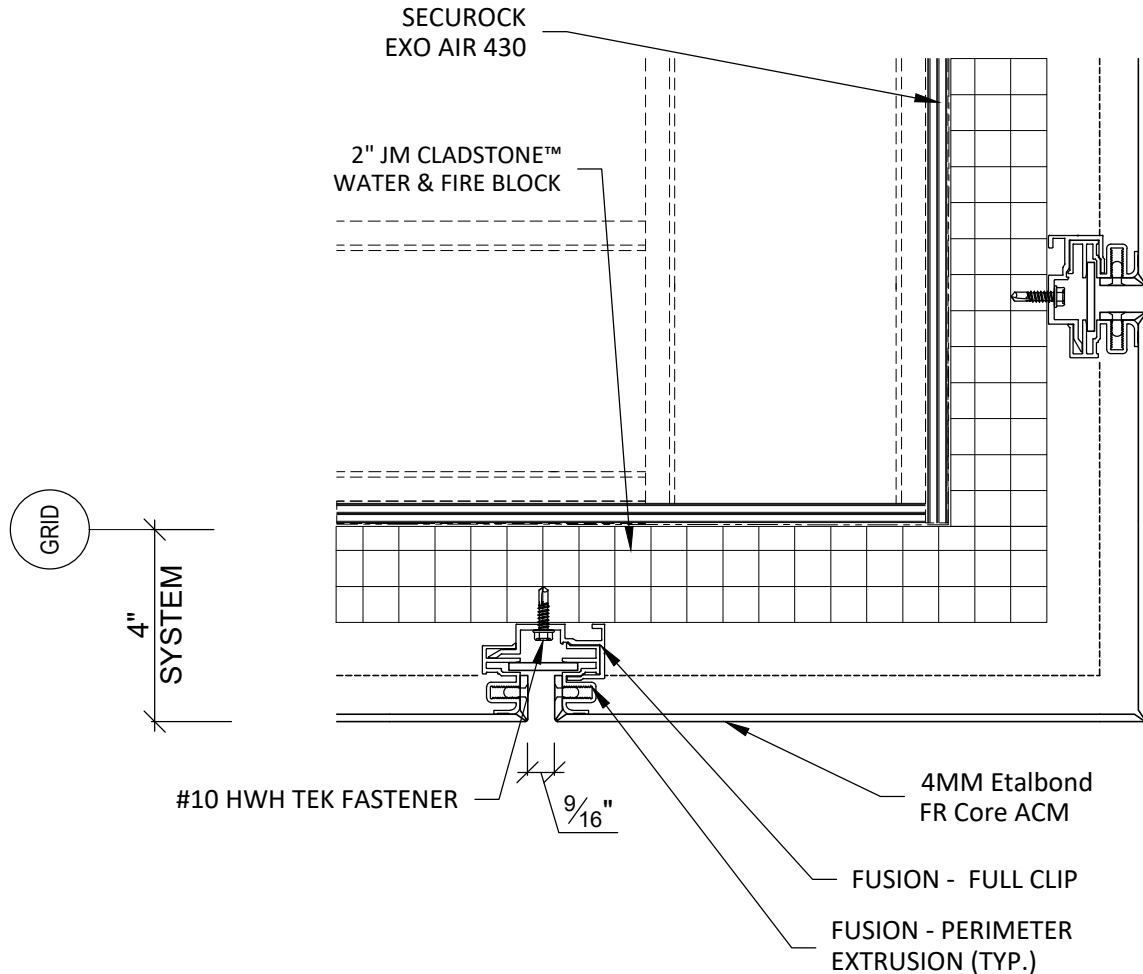
D7 INSIDE CORNER - PLAN VIEW



CARTER
ARCHITECTURAL PANELS INC

"Changing the Standard by Design"
BUILDING ENVELOPE SOLUTIONS

CARTER ARCHITECTURAL PANELS INC
7925 E RAY RD. STE 133
MESA, AZ 85212
TOLL FREE: 1-844-888-5088
PHONE: (480) 899-3955
FAX: (480) 899-3613
www.carterpanels.com



SECTION DETAIL

NOTES:

1. INSTALLATION TO BE COMPLETED IN ACCORDANCE WITH MANUFACTURER'S SPECIFICATIONS.
2. DO NOT SCALE DRAWING.
3. THIS DRAWING IS INTENDED FOR USE BY ARCHITECTS, ENGINEERS, CONTRACTORS, CONSULTANTS AND DESIGN PROFESSIONALS FOR PLANNING PURPOSES ONLY. THIS DRAWING MAY NOT BE USED FOR CONSTRUCTION.
4. ALL INFORMATION CONTAINED HEREIN WAS CURRENT AT THE TIME OF DEVELOPMENT BUT MUST BE REVIEWED AND APPROVED BY THE PRODUCT MANUFACTURER TO BE CONSIDERED ACCURATE.
5. CONTRACTOR'S NOTE: FOR PRODUCT AND COMPANY INFORMATION VISIT www.CADdetails.com/info AND ENTER REFERENCE NUMBER : FUSION285-D8

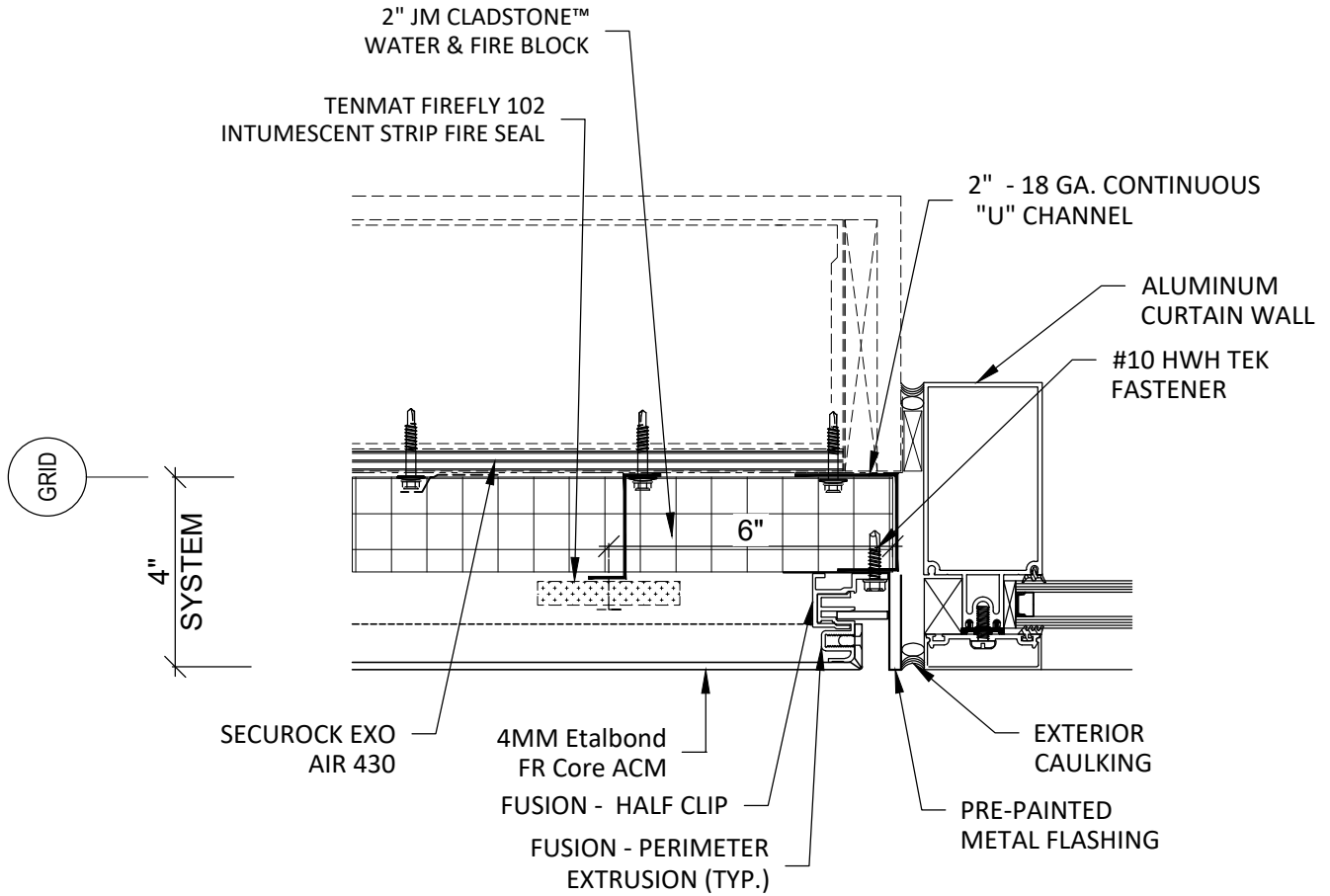
D8 OUTSIDE CORNER - PLAN VIEW



CARTER
ARCHITECTURAL PANELS INC

"Changing the Standard by Design"
BUILDING ENVELOPE SOLUTIONS

CARTER ARCHITECTURAL PANELS INC
7925 E RAY RD. STE 133
MESA, AZ 85212
TOLL FREE: 1-844-888-5088
PHONE: (480) 899-3955
FAX: (480) 899-3613
www.carterpanels.com



SECTION DETAIL

NOTES:

1. INSTALLATION TO BE COMPLETED IN ACCORDANCE WITH MANUFACTURER'S SPECIFICATIONS.
2. DO NOT SCALE DRAWING.
3. THIS DRAWING IS INTENDED FOR USE BY ARCHITECTS, ENGINEERS, CONTRACTORS, CONSULTANTS AND DESIGN PROFESSIONALS FOR PLANNING PURPOSES ONLY. THIS DRAWING MAY NOT BE USED FOR CONSTRUCTION.
4. ALL INFORMATION CONTAINED HEREIN WAS CURRENT AT THE TIME OF DEVELOPMENT BUT MUST BE REVIEWED AND APPROVED BY THE PRODUCT MANUFACTURER TO BE CONSIDERED ACCURATE.
5. CONTRACTOR'S NOTE: FOR PRODUCT AND COMPANY INFORMATION VISIT www.CADdetails.com/info AND ENTER REFERENCE NUMBER : FUSION285-D9

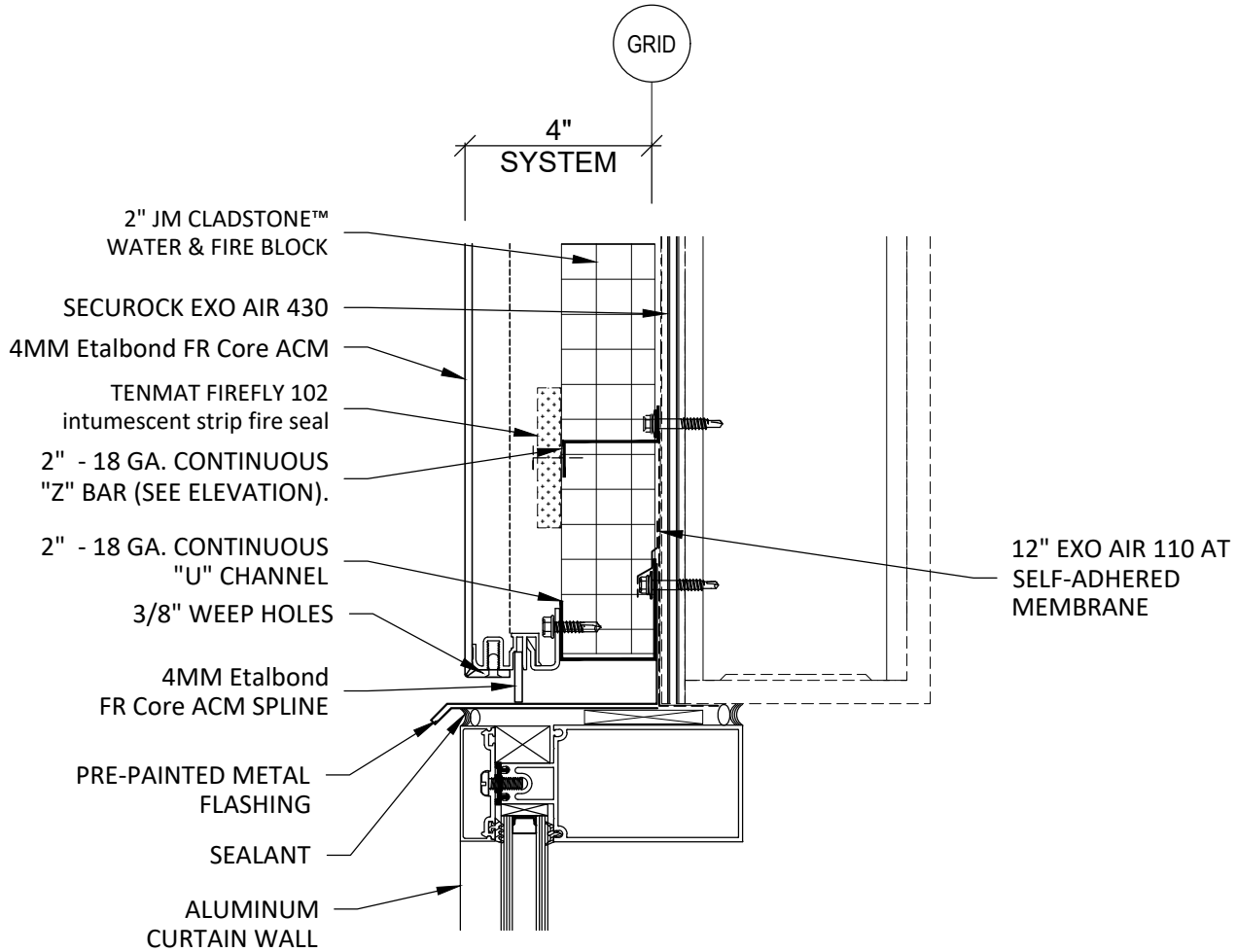
D9 JAMB - PLAN VIEW



CARTER
ARCHITECTURAL PANELS INC

"Changing the Standard by Design"
BUILDING ENVELOPE SOLUTIONS

CARTER ARCHITECTURAL PANELS INC
7925 E RAY RD. STE 133
MESA, AZ 85212
TOLL FREE: 1-844-888-5088
PHONE: (480) 899-3955
FAX: (480) 899-3613
www.carterpanels.com



SECTION DETAIL

NOTES:

1. INSTALLATION TO BE COMPLETED IN ACCORDANCE WITH MANUFACTURER'S SPECIFICATIONS.
2. DO NOT SCALE DRAWING.
3. THIS DRAWING IS INTENDED FOR USE BY ARCHITECTS, ENGINEERS, CONTRACTORS, CONSULTANTS AND DESIGN PROFESSIONALS FOR PLANNING PURPOSES ONLY. THIS DRAWING MAY NOT BE USED FOR CONSTRUCTION.
4. ALL INFORMATION CONTAINED HEREIN WAS CURRENT AT THE TIME OF DEVELOPMENT BUT MUST BE REVIEWED AND APPROVED BY THE PRODUCT MANUFACTURER TO BE CONSIDERED ACCURATE.
5. CONTRACTOR'S NOTE: FOR PRODUCT AND COMPANY INFORMATION VISIT www.CADdetails.com/info AND ENTER REFERENCE NUMBER : FUSION285-D10

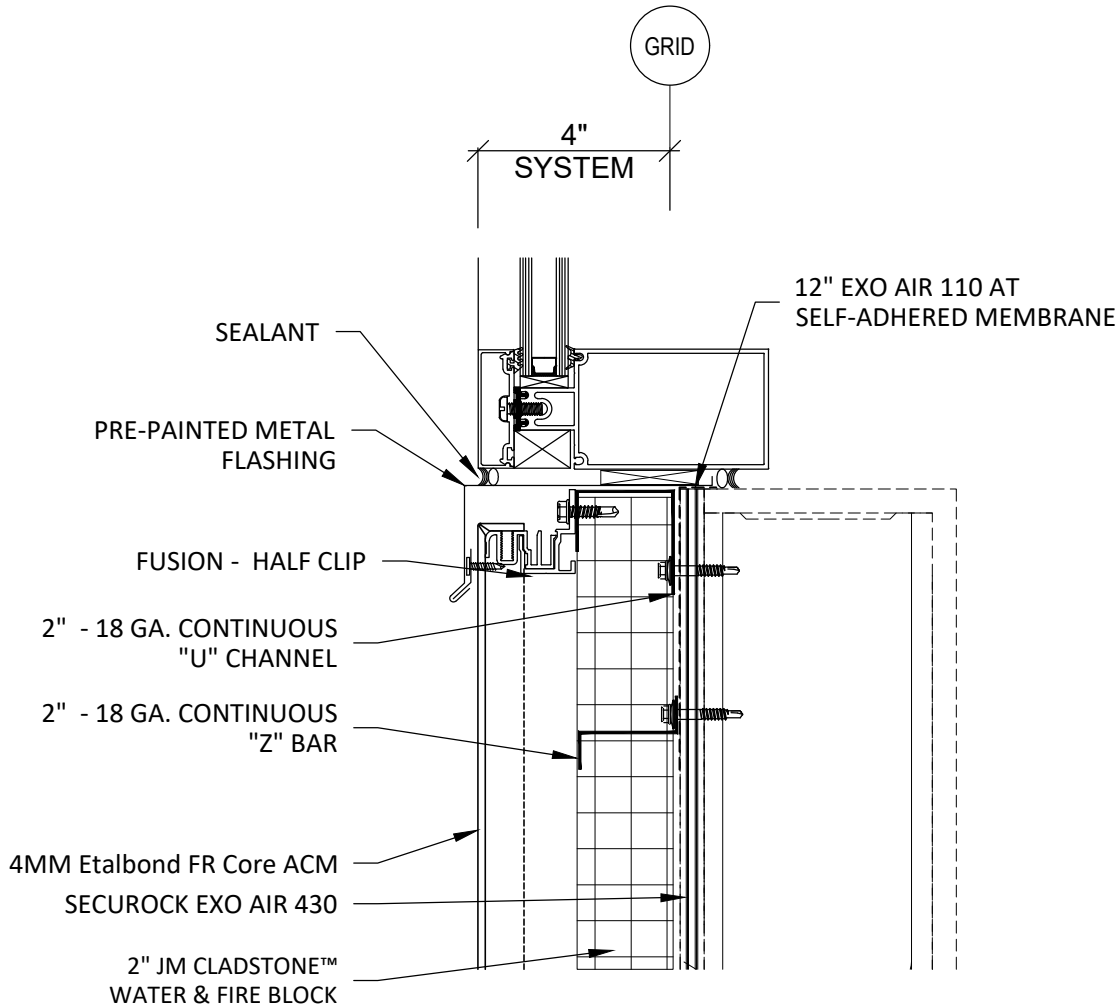
D10 **OPENING HEAD - SECTION VIEW**



CARTER
ARCHITECTURAL PANELS INC

"Changing the Standard by Design"
BUILDING ENVELOPE SOLUTIONS

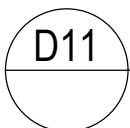
CARTER ARCHITECTURAL PANELS INC
7925 E RAY RD. STE 133
MESA, AZ 85212
TOLL FREE: 1-844-888-5088
PHONE: (480) 899-3955
FAX: (480) 899-3613
www.carterpanels.com



SECTION DETAIL

NOTES:

1. INSTALLATION TO BE COMPLETED IN ACCORDANCE WITH MANUFACTURER'S SPECIFICATIONS.
2. DO NOT SCALE DRAWING.
3. THIS DRAWING IS INTENDED FOR USE BY ARCHITECTS, ENGINEERS, CONTRACTORS, CONSULTANTS AND DESIGN PROFESSIONALS FOR PLANNING PURPOSES ONLY. THIS DRAWING MAY NOT BE USED FOR CONSTRUCTION.
4. ALL INFORMATION CONTAINED HEREIN WAS CURRENT AT THE TIME OF DEVELOPMENT BUT MUST BE REVIEWED AND APPROVED BY THE PRODUCT MANUFACTURER TO BE CONSIDERED ACCURATE.
5. CONTRACTOR'S NOTE: FOR PRODUCT AND COMPANY INFORMATION VISIT www.CADdetails.com/info AND ENTER REFERENCE NUMBER : FUSION285-D11



OPENING BOTTOM - SECTION VIEW