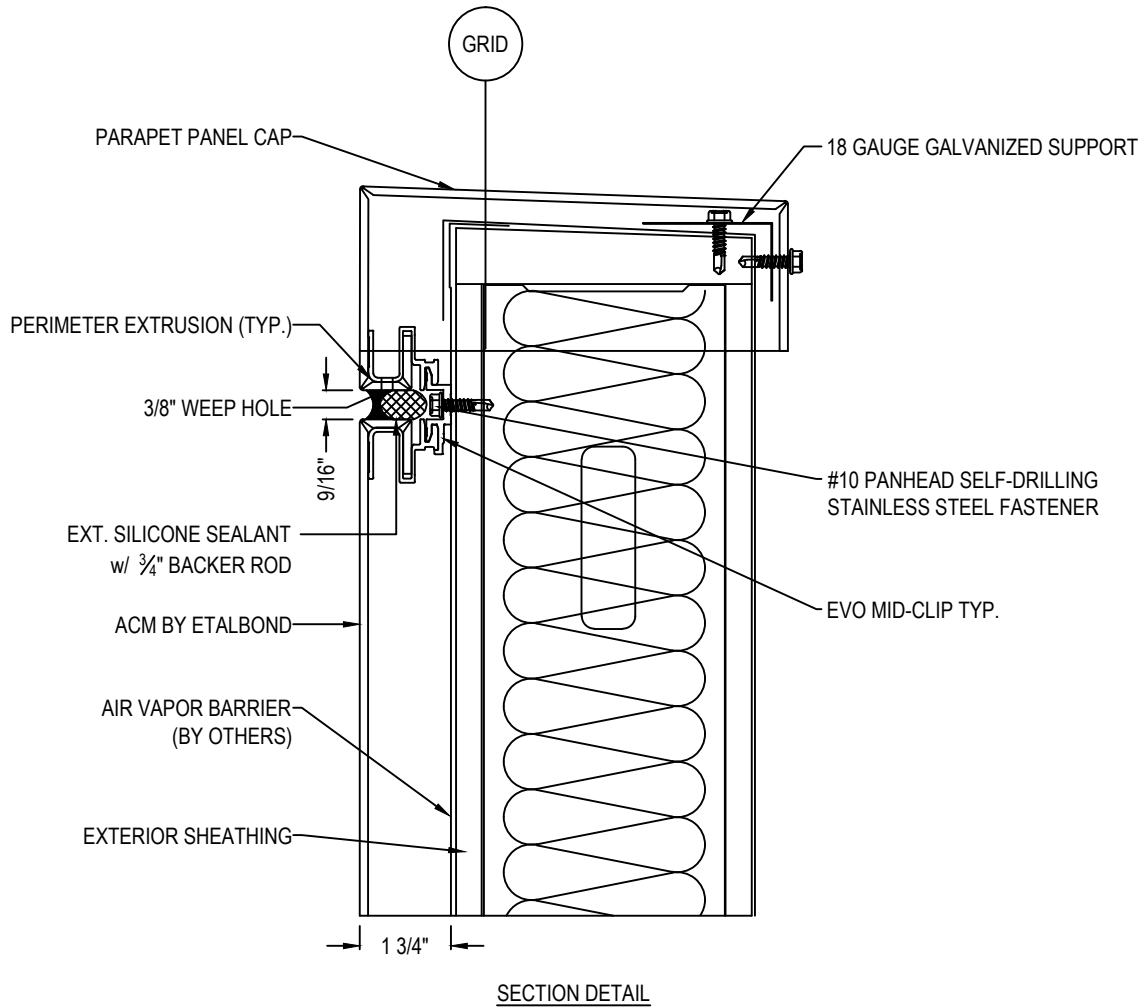




**CARTER**  
ARCHITECTURAL PANELS INC

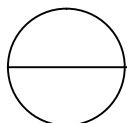
"Changing the Standard by Design"  
BUILDING ENVELOPE SOLUTIONS

EVO ARCHITECTURAL PANEL SYSTEM  
7925 E RAY RD. STE 133  
MESA, AZ 85212  
TOLL FREE: 1-844-888-5088  
PHONE: (480) 899-3955  
FAX: (480) 899-3613  
www.evopanel.com



NOTES:

1. INSTALLATION TO BE COMPLETED IN ACCORDANCE WITH MANUFACTURER'S SPECIFICATIONS.
2. DO NOT SCALE DRAWING.
3. THIS DRAWING IS INTENDED FOR USE BY ARCHITECTS, ENGINEERS, CONTRACTORS, CONSULTANTS AND DESIGN PROFESSIONALS FOR PLANNING PURPOSES ONLY. THIS DRAWING MAY NOT BE USED FOR CONSTRUCTION.
4. ALL INFORMATION CONTAINED HEREIN WAS CURRENT AT THE TIME OF DEVELOPMENT BUT MUST BE REVIEWED AND APPROVED BY THE PRODUCT MANUFACTURER TO BE CONSIDERED ACCURATE.
5. CONTRACTOR'S NOTE: FOR PRODUCT AND COMPANY INFORMATION VISIT [www.CADdetails.com/info](http://www.CADdetails.com/info) AND ENTER REFERENCE NUMBER ACM\_EVO - Wet Joint standard details



**PARAPET CAP**

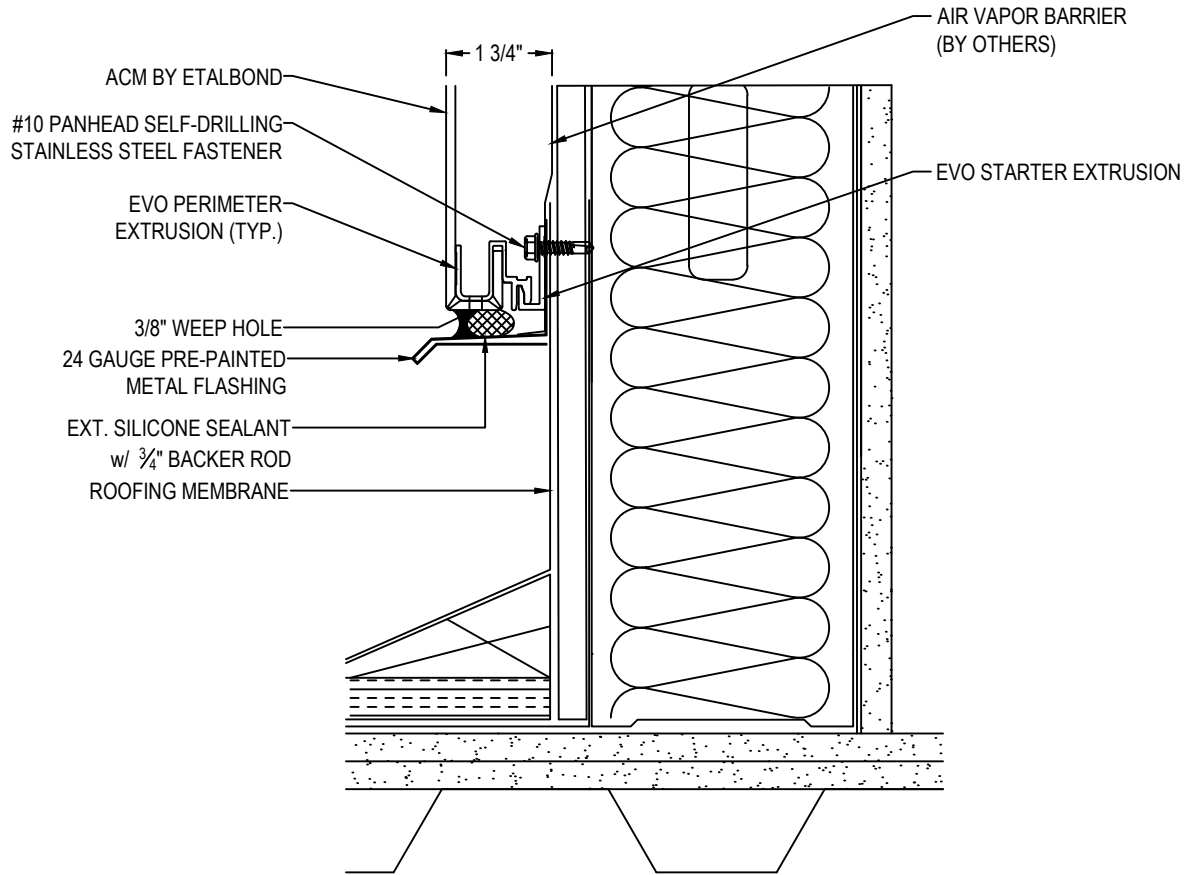
EVO™ PANEL SYSTEM: PARAPET CAP DETAIL OPTION 2 ( SECTION )



**CARTER**  
ARCHITECTURAL PANELS INC

"Changing the Standard by Design"  
BUILDING ENVELOPE SOLUTIONS

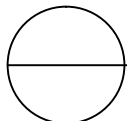
EVO ARCHITECTURAL PANEL SYSTEM  
7925 E RAY RD. STE 133  
MESA, AZ 85212  
TOLL FREE: 1-844-888-5088  
PHONE: (480) 899-3955  
FAX: (480) 899-3613  
www.evopanel.com



SECTION DETAIL

NOTES:

1. INSTALLATION TO BE COMPLETED IN ACCORDANCE WITH MANUFACTURER'S SPECIFICATIONS.
2. DO NOT SCALE DRAWING.
3. THIS DRAWING IS INTENDED FOR USE BY ARCHITECTS, ENGINEERS, CONTRACTORS, CONSULTANTS AND DESIGN PROFESSIONALS FOR PLANNING PURPOSES ONLY. THIS DRAWING MAY NOT BE USED FOR CONSTRUCTION.
4. ALL INFORMATION CONTAINED HEREIN WAS CURRENT AT THE TIME OF DEVELOPMENT BUT MUST BE REVIEWED AND APPROVED BY THE PRODUCT MANUFACTURER TO BE CONSIDERED ACCURATE.
5. CONTRACTOR'S NOTE: FOR PRODUCT AND COMPANY INFORMATION VISIT [www.CADdetails.com/info](http://www.CADdetails.com/info) AND ENTER REFERENCE NUMBER ACM\_EVO - Wet Joint standard details



**BASE - ROOF / WALL TRANSITION**

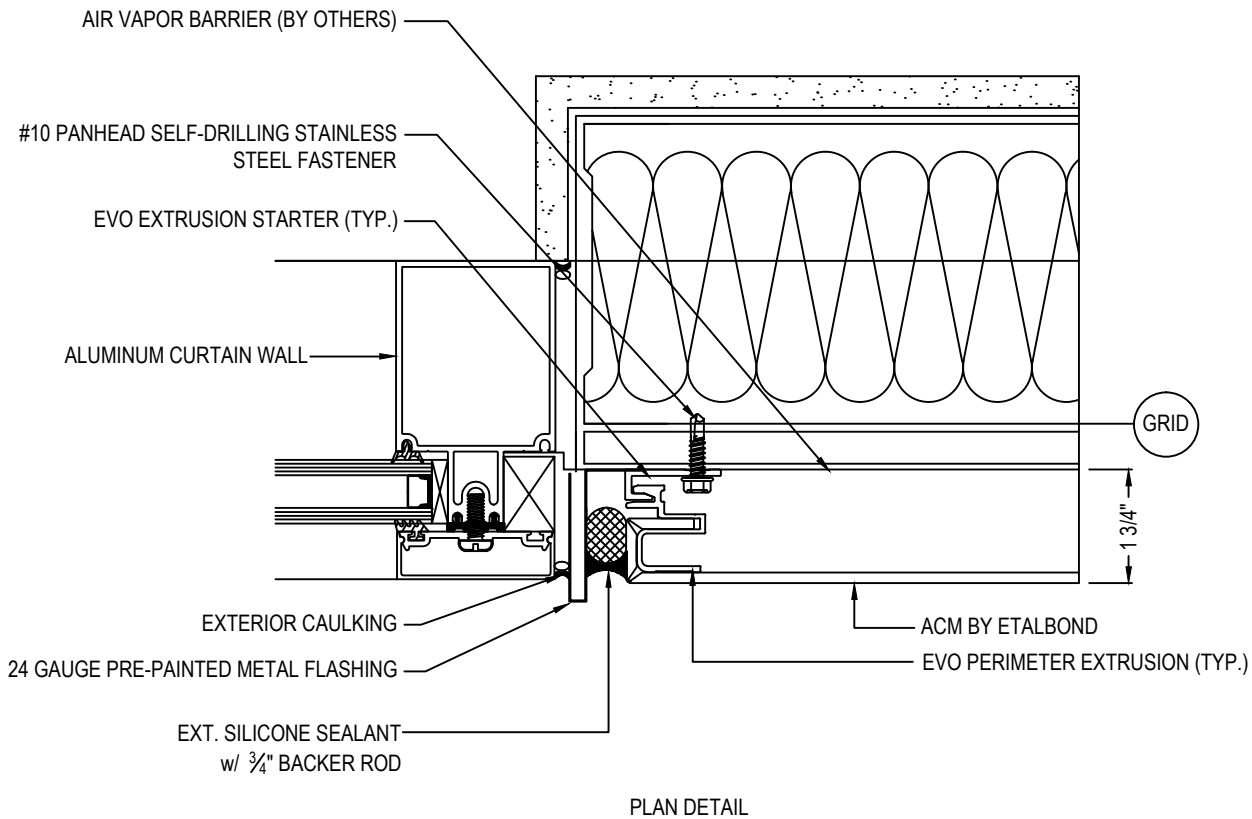
EVO™ PANEL SYSTEM: BASE DETAIL - ROOF / WALL TRANSITION ( SECTION )



**CARTER**  
ARCHITECTURAL PANELS INC

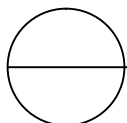
"Changing the Standard by Design"  
BUILDING ENVELOPE SOLUTIONS

EVO ARCHITECTURAL PANEL SYSTEM  
7925 E RAY RD. STE 133  
MESA, AZ 85212  
TOLL FREE: 1-844-888-5088  
PHONE: (480) 899-3955  
FAX: (480) 899-3613  
www.evopanel.com



**NOTES:**

1. INSTALLATION TO BE COMPLETED IN ACCORDANCE WITH MANUFACTURER'S SPECIFICATIONS.
2. DO NOT SCALE DRAWING.
3. THIS DRAWING IS INTENDED FOR USE BY ARCHITECTS, ENGINEERS, CONTRACTORS, CONSULTANTS AND DESIGN PROFESSIONALS FOR PLANNING PURPOSES ONLY. THIS DRAWING MAY NOT BE USED FOR CONSTRUCTION.
4. ALL INFORMATION CONTAINED HEREIN WAS CURRENT AT THE TIME OF DEVELOPMENT BUT MUST BE REVIEWED AND APPROVED BY THE PRODUCT MANUFACTURER TO BE CONSIDERED ACCURATE.
5. CONTRACTOR'S NOTE: FOR PRODUCT AND COMPANY INFORMATION VISIT [www.CADdetails.com/info](http://www.CADdetails.com/info) AND ENTER REFERENCE NUMBER ACM\_EVO - Wet Joint standard details



**JAMB**

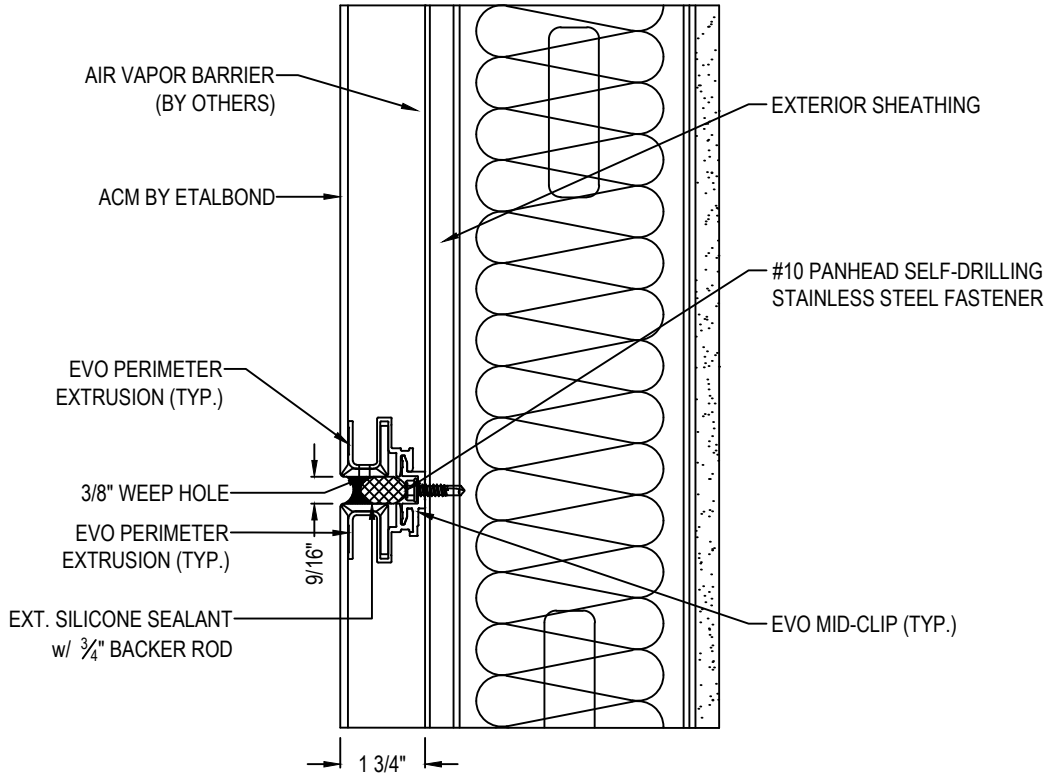
EVO™ PANEL SYSTEM: JAMB DETAIL ( PLAN )



**CARTER**  
ARCHITECTURAL PANELS INC

"Changing the Standard by Design"  
BUILDING ENVELOPE SOLUTIONS

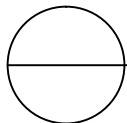
EVO ARCHITECTURAL PANEL SYSTEM  
7925 E RAY RD. STE 133  
MESA, AZ 85212  
TOLL FREE: 1-844-888-5088  
PHONE: (480) 899-3955  
FAX: (480) 899-3613  
www.evopanel.com



SECTION DETAIL

NOTES:

1. INSTALLATION TO BE COMPLETED IN ACCORDANCE WITH MANUFACTURER'S SPECIFICATIONS.
2. DO NOT SCALE DRAWING.
3. THIS DRAWING IS INTENDED FOR USE BY ARCHITECTS, ENGINEERS, CONTRACTORS, CONSULTANTS AND DESIGN PROFESSIONALS FOR PLANNING PURPOSES ONLY. THIS DRAWING MAY NOT BE USED FOR CONSTRUCTION.
4. ALL INFORMATION CONTAINED HEREIN WAS CURRENT AT THE TIME OF DEVELOPMENT BUT MUST BE REVIEWED AND APPROVED BY THE PRODUCT MANUFACTURER TO BE CONSIDERED ACCURATE.
5. CONTRACTOR'S NOTE: FOR PRODUCT AND COMPANY INFORMATION VISIT [www.CADdetails.com/info](http://www.CADdetails.com/info) AND ENTER REFERENCE NUMBER ACM\_EVO - Wet Joint standard details



**HORIZONTAL JOINT**

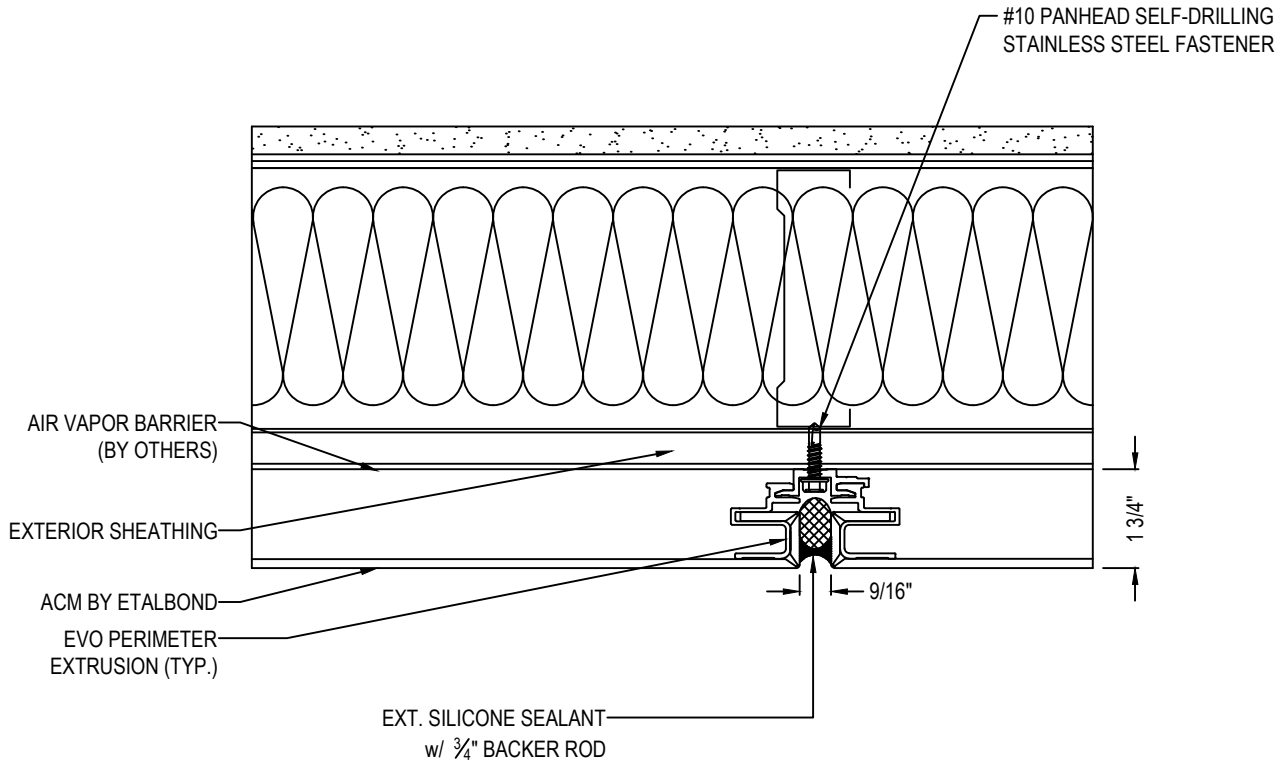
EVO™ PANEL SYSTEM: HORIZONTAL JOINT DETAIL ( SECTION )



**CARTER**  
ARCHITECTURAL PANELS INC

"Changing the Standard by Design"  
BUILDING ENVELOPE SOLUTIONS

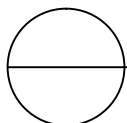
EVO ARCHITECTURAL PANEL SYSTEM  
7925 E RAY RD. STE 133  
MESA, AZ 85212  
TOLL FREE: 1-844-888-5088  
PHONE: (480) 899-3955  
FAX: (480) 899-3613  
www.evopanel.com



SECTION DETAIL

NOTES:

1. INSTALLATION TO BE COMPLETED IN ACCORDANCE WITH MANUFACTURER'S SPECIFICATIONS.
2. DO NOT SCALE DRAWING.
3. THIS DRAWING IS INTENDED FOR USE BY ARCHITECTS, ENGINEERS, CONTRACTORS, CONSULTANTS AND DESIGN PROFESSIONALS FOR PLANNING PURPOSES ONLY. THIS DRAWING MAY NOT BE USED FOR CONSTRUCTION.
4. ALL INFORMATION CONTAINED HEREIN WAS CURRENT AT THE TIME OF DEVELOPMENT BUT MUST BE REVIEWED AND APPROVED BY THE PRODUCT MANUFACTURER TO BE CONSIDERED ACCURATE.
5. CONTRACTOR'S NOTE: FOR PRODUCT AND COMPANY INFORMATION VISIT [www.CADdetails.com/info](http://www.CADdetails.com/info) AND ENTER REFERENCE NUMBER ACM\_EVO - Wet Joint standard details



**VERTICAL JOINT**

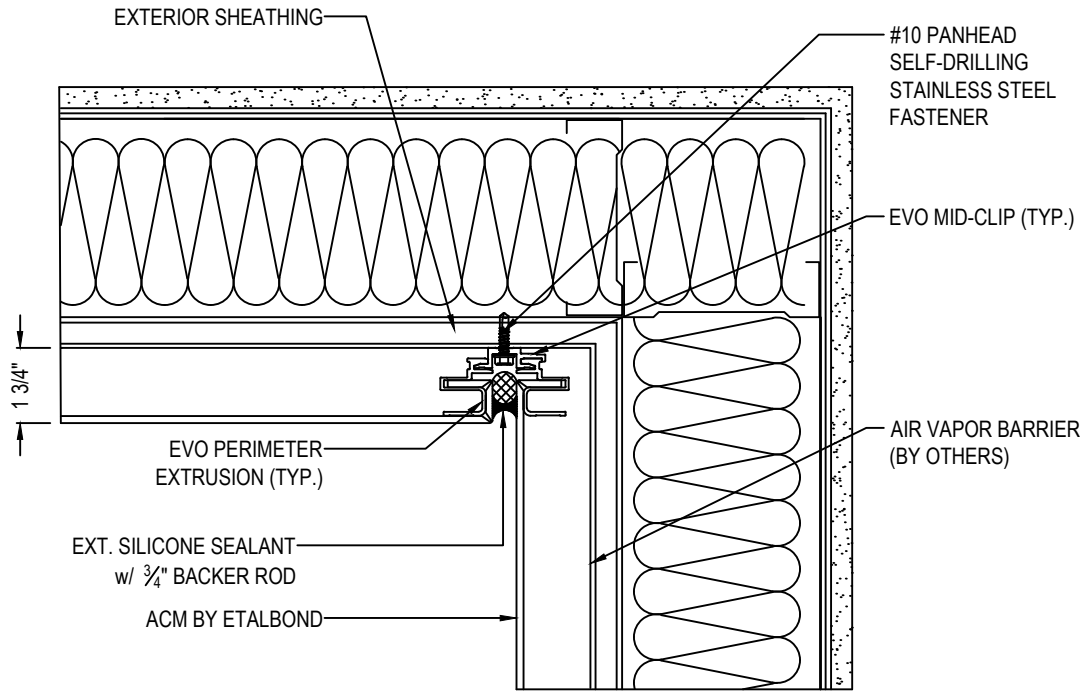
EVO™ PANEL SYSTEM: VERTICAL JOINT DETAIL (SECTION )



**CARTER**  
ARCHITECTURAL PANELS INC

"Changing the Standard by Design"  
BUILDING ENVELOPE SOLUTIONS

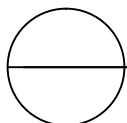
EVO ARCHITECTURAL PANEL SYSTEM  
7925 E RAY RD. STE 133  
MESA, AZ 85212  
TOLL FREE: 1-844-888-5088  
PHONE: (480) 899-3955  
FAX: (480) 899-3613  
www.evopanel.com



PLAN DETAIL

NOTES:

1. INSTALLATION TO BE COMPLETED IN ACCORDANCE WITH MANUFACTURER'S SPECIFICATIONS.
2. DO NOT SCALE DRAWING.
3. THIS DRAWING IS INTENDED FOR USE BY ARCHITECTS, ENGINEERS, CONTRACTORS, CONSULTANTS AND DESIGN PROFESSIONALS FOR PLANNING PURPOSES ONLY. THIS DRAWING MAY NOT BE USED FOR CONSTRUCTION.
4. ALL INFORMATION CONTAINED HEREIN WAS CURRENT AT THE TIME OF DEVELOPMENT BUT MUST BE REVIEWED AND APPROVED BY THE PRODUCT MANUFACTURER TO BE CONSIDERED ACCURATE.
5. CONTRACTOR'S NOTE: FOR PRODUCT AND COMPANY INFORMATION VISIT [www.CADdetails.com/info](http://www.CADdetails.com/info) AND ENTER REFERENCE NUMBER ACM\_EVO - Wet Joint standard details



**INSIDE CORNER**

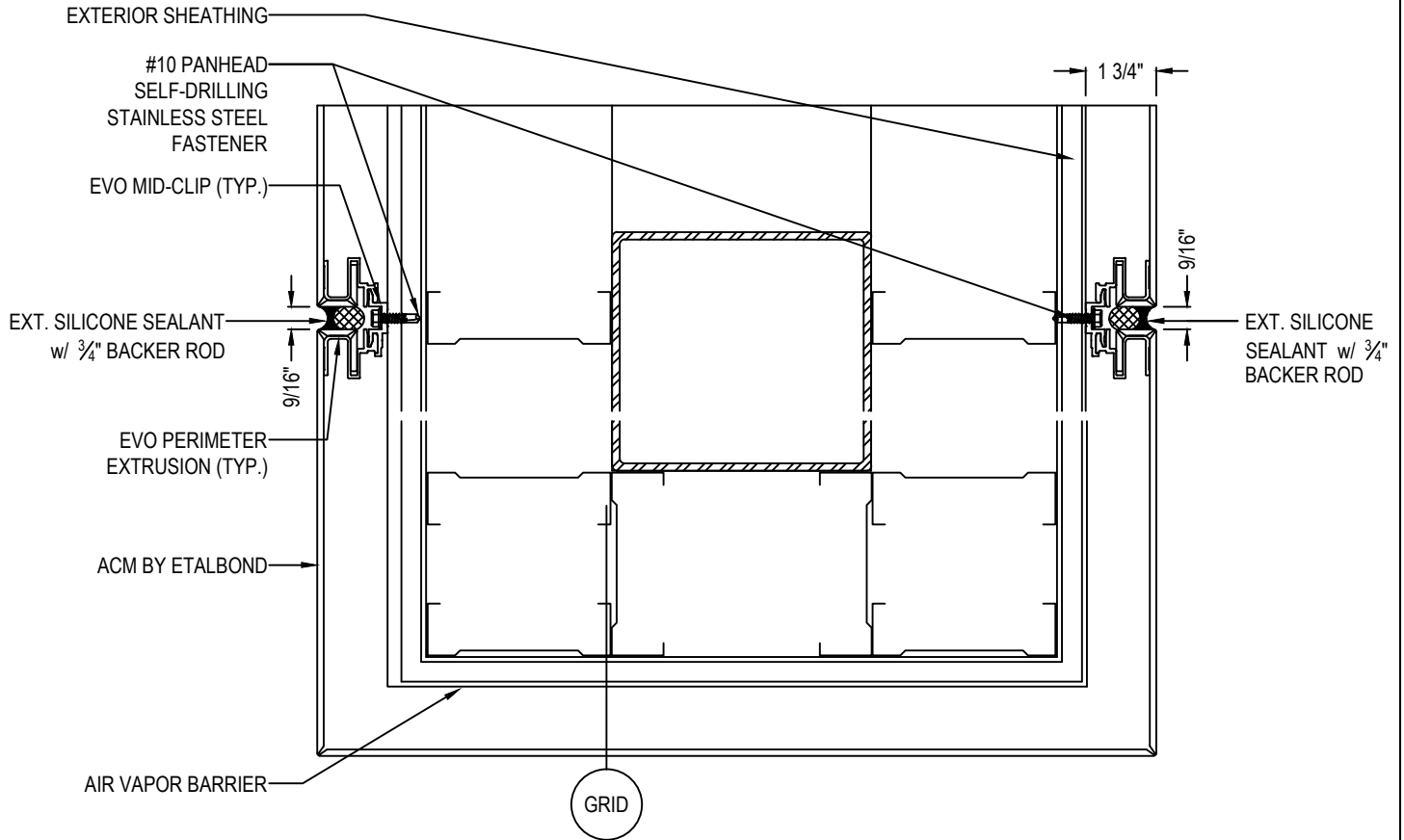
EVO™ PANEL SYSTEM: INSIDE CORNER DETAIL ( PLAN )



**CARTER**  
ARCHITECTURAL PANELS INC

"Changing the Standard by Design"  
BUILDING ENVELOPE SOLUTIONS

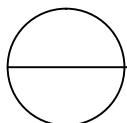
EVO ARCHITECTURAL PANEL SYSTEM  
7925 E RAY RD. STE 133  
MESA, AZ 85212  
TOLL FREE: 1-844-888-5088  
PHONE: (480) 899-3955  
FAX: (480) 899-3613  
www.evopanel.com



PLAN DETAIL

NOTES:

1. INSTALLATION TO BE COMPLETED IN ACCORDANCE WITH MANUFACTURER'S SPECIFICATIONS.
2. DO NOT SCALE DRAWING.
3. THIS DRAWING IS INTENDED FOR USE BY ARCHITECTS, ENGINEERS, CONTRACTORS, CONSULTANTS AND DESIGN PROFESSIONALS FOR PLANNING PURPOSES ONLY. THIS DRAWING MAY NOT BE USED FOR CONSTRUCTION.
4. ALL INFORMATION CONTAINED HEREIN WAS CURRENT AT THE TIME OF DEVELOPMENT BUT MUST BE REVIEWED AND APPROVED BY THE PRODUCT MANUFACTURER TO BE CONSIDERED ACCURATE.
5. CONTRACTOR'S NOTE: FOR PRODUCT AND COMPANY INFORMATION VISIT [www.CADdetails.com/info](http://www.CADdetails.com/info) AND ENTER REFERENCE NUMBER ACM\_EVO - Wet Joint standard details



**COLUMN DETAIL**

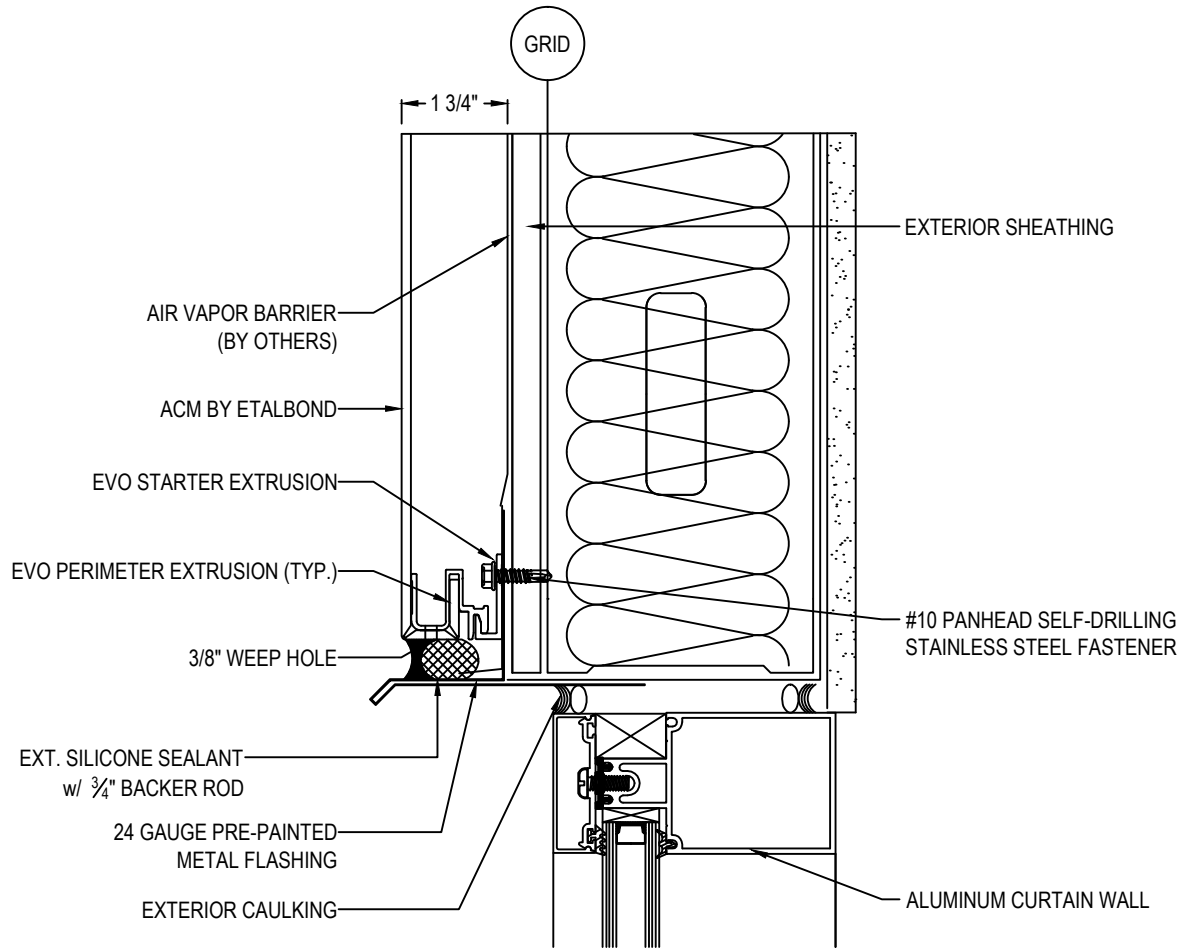
EVO™ PANEL SYSTEM: COLUMN DETAIL ( PLAN )



**CARTER**  
ARCHITECTURAL PANELS INC

"Changing the Standard by Design"  
BUILDING ENVELOPE SOLUTIONS

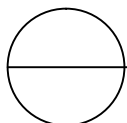
EVO ARCHITECTURAL PANEL SYSTEM  
7925 E RAY RD. STE 133  
MESA, AZ 85212  
TOLL FREE: 1-844-888-5088  
PHONE: (480) 899-3955  
FAX: (480) 899-3613  
www.evopanel.com



SECTION DETAIL

NOTES:

1. INSTALLATION TO BE COMPLETED IN ACCORDANCE WITH MANUFACTURER'S SPECIFICATIONS.
2. DO NOT SCALE DRAWING.
3. THIS DRAWING IS INTENDED FOR USE BY ARCHITECTS, ENGINEERS, CONTRACTORS, CONSULTANTS AND DESIGN PROFESSIONALS FOR PLANNING PURPOSES ONLY. THIS DRAWING MAY NOT BE USED FOR CONSTRUCTION.
4. ALL INFORMATION CONTAINED HEREIN WAS CURRENT AT THE TIME OF DEVELOPMENT BUT MUST BE REVIEWED AND APPROVED BY THE PRODUCT MANUFACTURER TO BE CONSIDERED ACCURATE.
5. CONTRACTOR'S NOTE: FOR PRODUCT AND COMPANY INFORMATION VISIT [www.CADdetails.com/info](http://www.CADdetails.com/info) AND ENTER REFERENCE NUMBER ACM\_EVO - Wet Joint standard details



**HEAD DETAIL**

EVO™ PANEL SYSTEM: HEAD DETAIL ( SECTION )

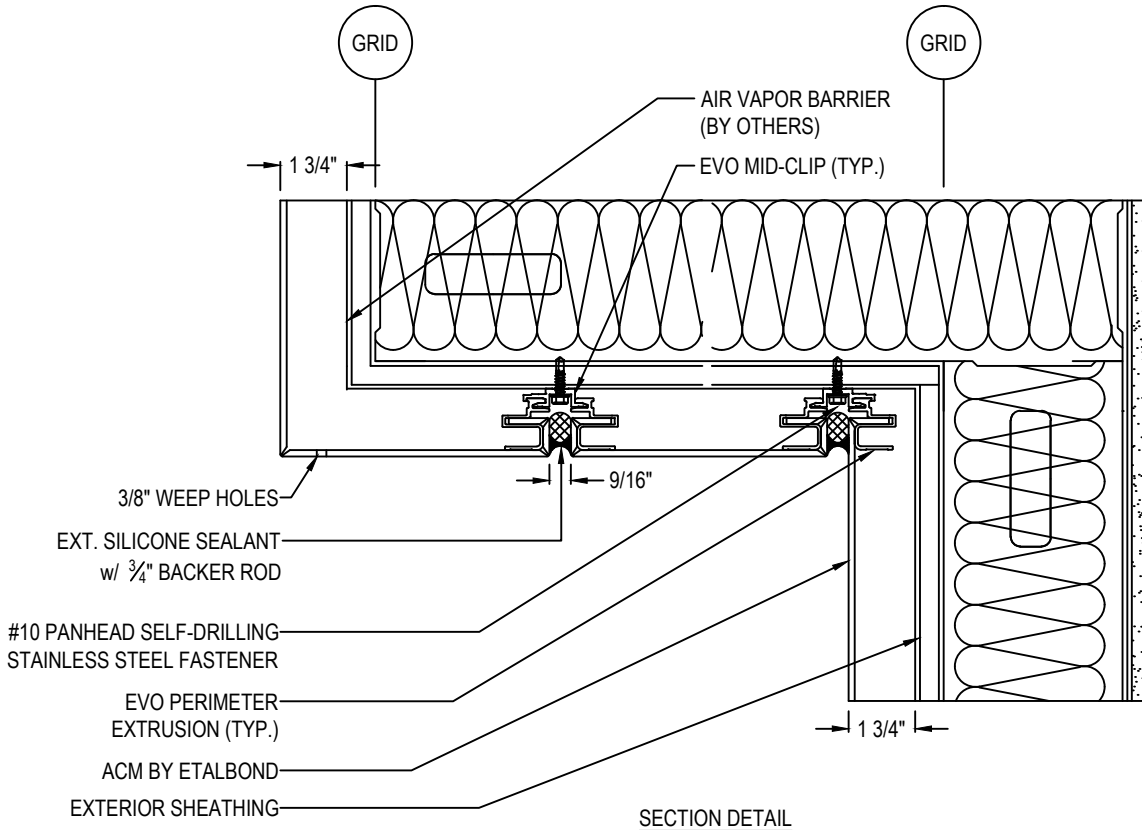




**CARTER**  
ARCHITECTURAL PANELS INC

"Changing the Standard by Design"  
BUILDING ENVELOPE SOLUTIONS

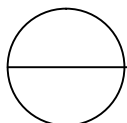
EVO ARCHITECTURAL PANEL SYSTEM  
7925 E RAY RD. STE 133  
MESA, AZ 85212  
TOLL FREE: 1-844-888-5088  
PHONE: (480) 899-3955  
FAX: (480) 899-3613  
www.evopanel.com



SECTION DETAIL

NOTES:

1. INSTALLATION TO BE COMPLETED IN ACCORDANCE WITH MANUFACTURER'S SPECIFICATIONS.
2. DO NOT SCALE DRAWING.
3. THIS DRAWING IS INTENDED FOR USE BY ARCHITECTS, ENGINEERS, CONTRACTORS, CONSULTANTS AND DESIGN PROFESSIONALS FOR PLANNING PURPOSES ONLY. THIS DRAWING MAY NOT BE USED FOR CONSTRUCTION.
4. ALL INFORMATION CONTAINED HEREIN WAS CURRENT AT THE TIME OF DEVELOPMENT BUT MUST BE REVIEWED AND APPROVED BY THE PRODUCT MANUFACTURER TO BE CONSIDERED ACCURATE.
5. CONTRACTOR'S NOTE: FOR PRODUCT AND COMPANY INFORMATION VISIT [www.CADdetails.com/info](http://www.CADdetails.com/info) AND ENTER REFERENCE NUMBER ACM\_EVO - Wet Joint standard details



**SOFFIT**

EVO™ PANEL SYSTEM: SOFFIT DETAIL ( SECTION )



**CARTER**  
ARCHITECTURAL PANELS INC

"Changing the Standard by Design"  
BUILDING ENVELOPE SOLUTIONS

**EVO ARCHITECTURAL PANEL SYSTEM**

7925 E RAY RD. STE 133

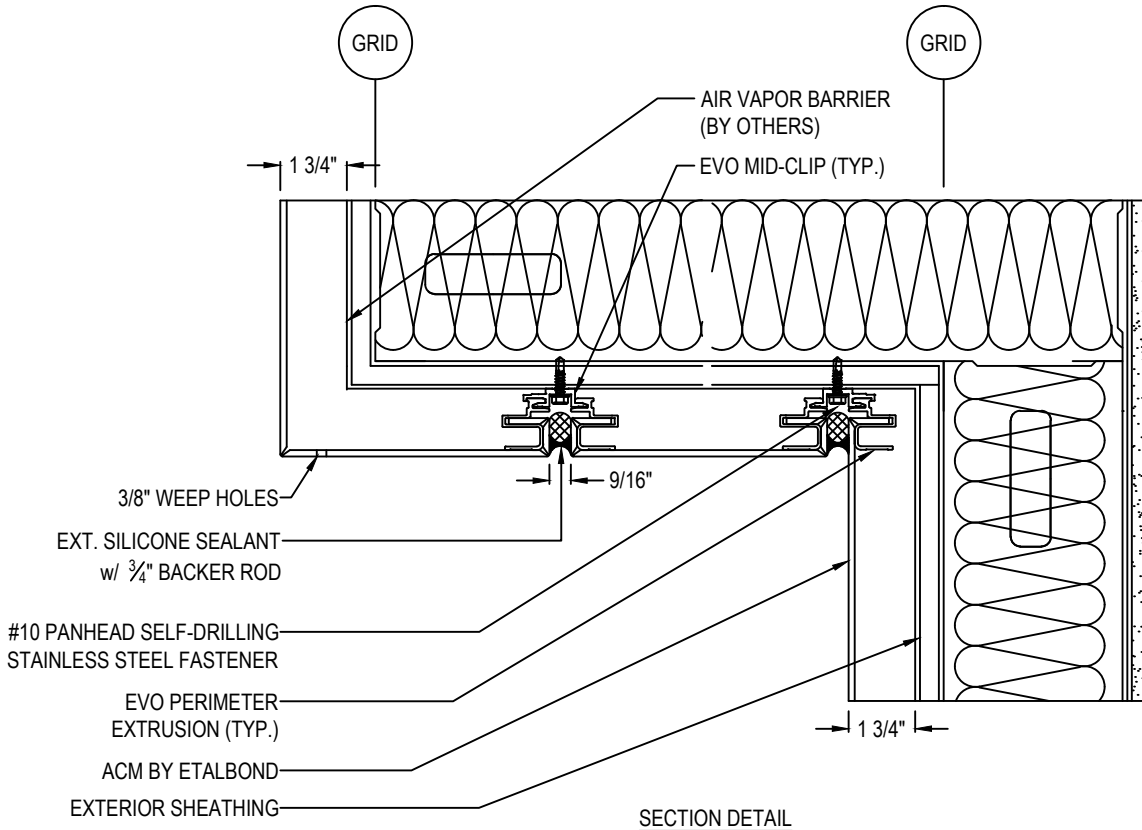
MESA, AZ 85212

TOLL FREE: 1-844-888-5088

PHONE: (480) 899-3955

FAX: (480) 899-3613

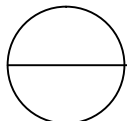
www.evopanel.com



SECTION DETAIL

**NOTES:**

1. INSTALLATION TO BE COMPLETED IN ACCORDANCE WITH MANUFACTURER'S SPECIFICATIONS.
2. DO NOT SCALE DRAWING.
3. THIS DRAWING IS INTENDED FOR USE BY ARCHITECTS, ENGINEERS, CONTRACTORS, CONSULTANTS AND DESIGN PROFESSIONALS FOR PLANNING PURPOSES ONLY. THIS DRAWING MAY NOT BE USED FOR CONSTRUCTION.
4. ALL INFORMATION CONTAINED HEREIN WAS CURRENT AT THE TIME OF DEVELOPMENT BUT MUST BE REVIEWED AND APPROVED BY THE PRODUCT MANUFACTURER TO BE CONSIDERED ACCURATE.
5. CONTRACTOR'S NOTE: FOR PRODUCT AND COMPANY INFORMATION VISIT [www.CADdetails.com/info](http://www.CADdetails.com/info) AND ENTER REFERENCE NUMBER ACM\_EVO - Wet Joint standard details



**SOFFIT**

EVO™ PANEL SYSTEM: SOFFIT DETAIL ( SECTION )



**CARTER**  
ARCHITECTURAL PANELS INC

"Changing the Standard by Design"  
BUILDING ENVELOPE SOLUTIONS

**EVO ARCHITECTURAL PANEL SYSTEM**

7925 E RAY RD. STE 133

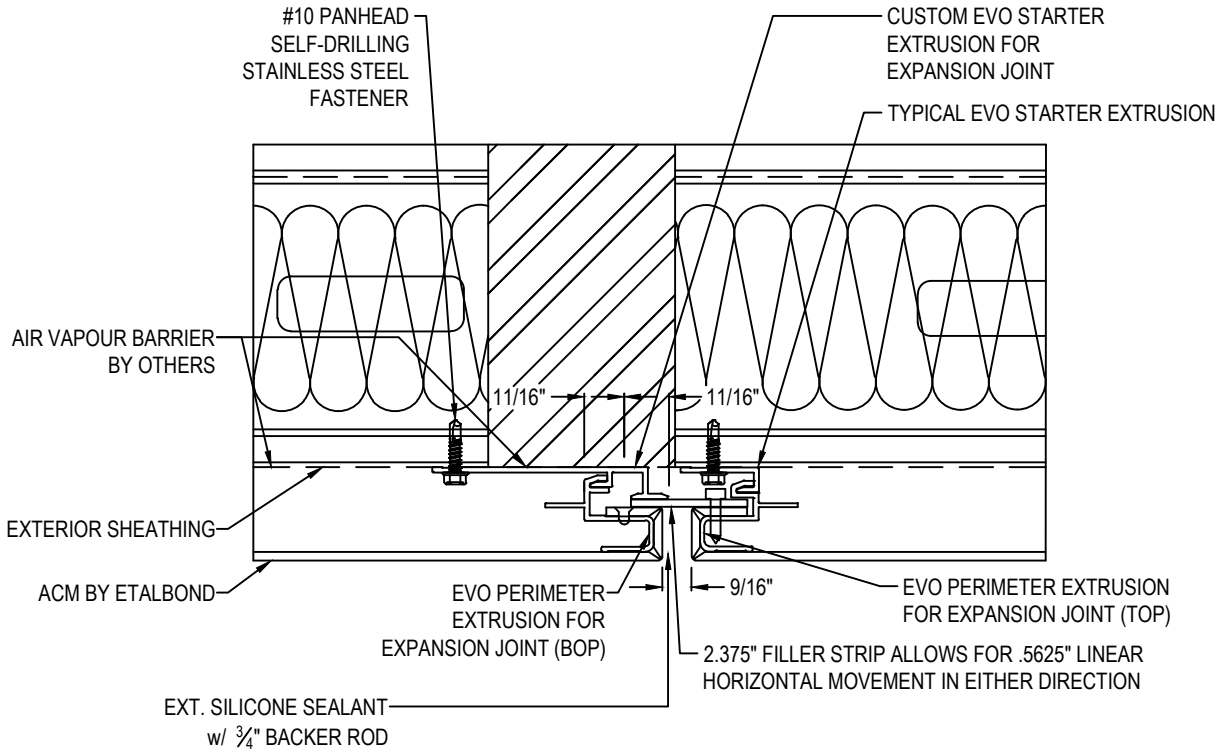
MESA, AZ 85212

TOLL FREE: 1-844-888-5088

PHONE: (480) 899-3955

FAX: (480) 899-3613

www.evopanel.com



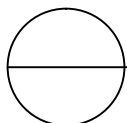
SECTION DETAIL

**MANUFACTURER NOTES:**

1. CONCERNS FOR SEPARATION OF DISSIMILAR MATERIAL TO BE JOB SPECIFIC.

**NOTES:**

1. INSTALLATION TO BE COMPLETED IN ACCORDANCE WITH MANUFACTURER'S SPECIFICATIONS.
2. DO NOT SCALE DRAWING.
3. THIS DRAWING IS INTENDED FOR USE BY ARCHITECTS, ENGINEERS, CONTRACTORS, CONSULTANTS AND DESIGN PROFESSIONALS FOR PLANNING PURPOSES ONLY. THIS DRAWING MAY NOT BE USED FOR CONSTRUCTION.
4. ALL INFORMATION CONTAINED HEREIN WAS CURRENT AT THE TIME OF DEVELOPMENT BUT MUST BE REVIEWED AND APPROVED BY THE PRODUCT MANUFACTURER TO BE CONSIDERED ACCURATE.
5. CONTRACTOR'S NOTE: FOR PRODUCT AND COMPANY INFORMATION VISIT [www.CADdetails.com/info](http://www.CADdetails.com/info) AND ENTER REFERENCE NUMBER ACM\_EVO - Wet Joint standard details



**EXPANSION JOINT**

EVO™ PANEL SYSTEM: EXPANSION JOINT DETAIL ( SECTION )



**CARTER**  
ARCHITECTURAL PANELS INC

"Changing the Standard by Design"  
BUILDING ENVELOPE SOLUTIONS

**EVO ARCHITECTURAL PANEL SYSTEM**

7925 E RAY RD. STE 133

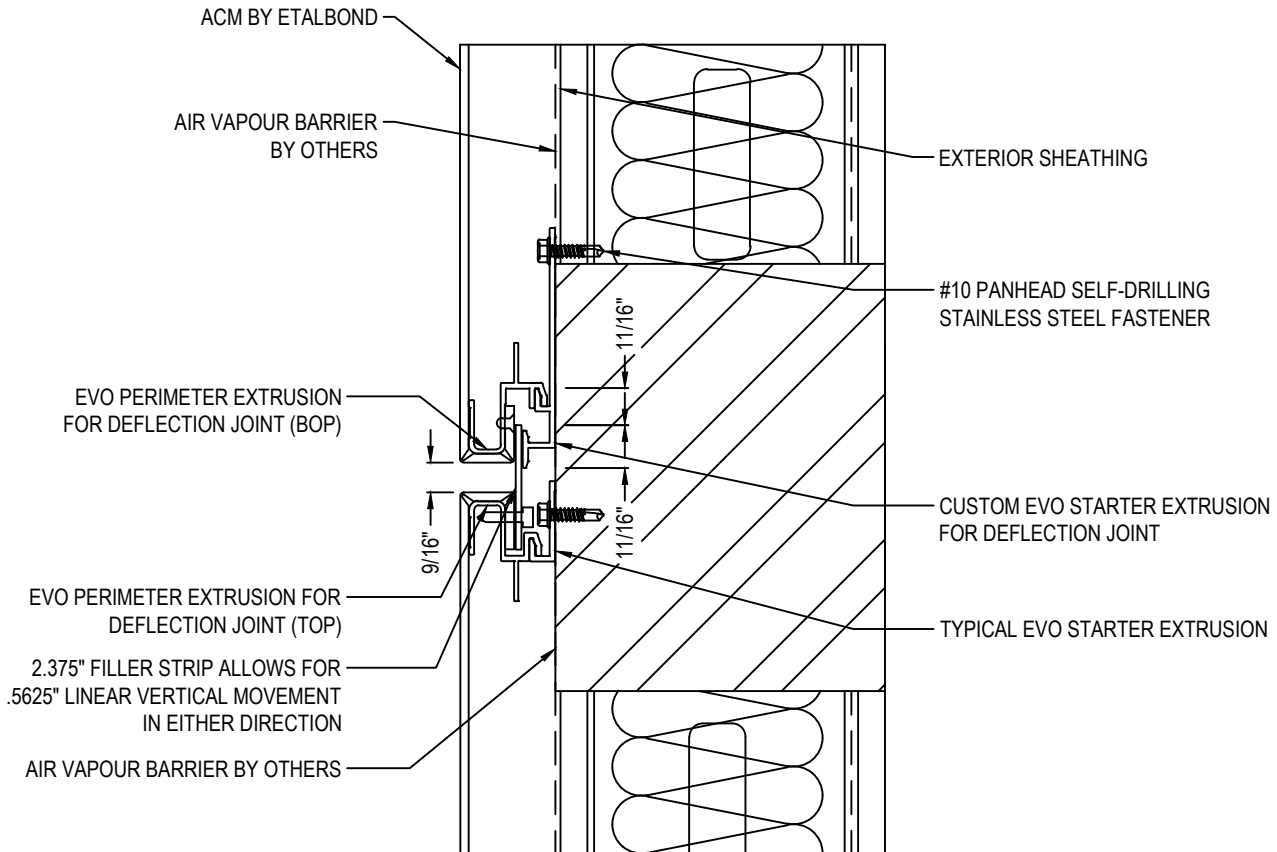
MESA, AZ 85212

TOLL FREE: 1-844-888-5088

PHONE: (480) 899-3955

FAX: (480) 899-3613

www.evopanel.com



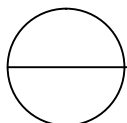
SECTION DETAIL

**MANUFACTURER NOTES:**

1. CONCERNS FOR SEPARATION OF DISSIMILAR MATERIAL TO BE JOB SPECIFIC.

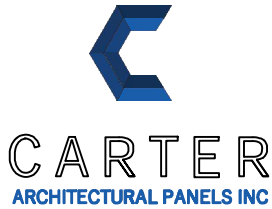
**NOTES:**

1. INSTALLATION TO BE COMPLETED IN ACCORDANCE WITH MANUFACTURER'S SPECIFICATIONS.
2. DO NOT SCALE DRAWING.
3. THIS DRAWING IS INTENDED FOR USE BY ARCHITECTS, ENGINEERS, CONTRACTORS, CONSULTANTS AND DESIGN PROFESSIONALS FOR PLANNING PURPOSES ONLY. THIS DRAWING MAY NOT BE USED FOR CONSTRUCTION.
4. ALL INFORMATION CONTAINED HEREIN WAS CURRENT AT THE TIME OF DEVELOPMENT BUT MUST BE REVIEWED AND APPROVED BY THE PRODUCT MANUFACTURER TO BE CONSIDERED ACCURATE.
5. CONTRACTOR'S NOTE: FOR PRODUCT AND COMPANY INFORMATION VISIT [www.CADdetails.com/info](http://www.CADdetails.com/info) AND ENTER REFERENCE NUMBER ACM\_EVO - Wet Joint standard details



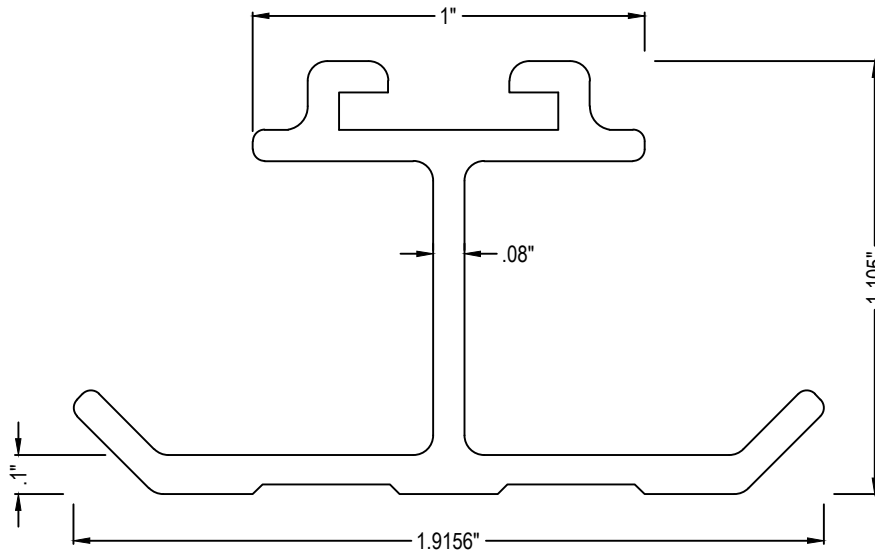
**SLAB DEFLECTION JOINT**

EVO™ PANEL SYSTEM: SLAB DEFLECTION DETAIL ( SECTION )



"Changing the Standard by Design"  
BUILDING ENVELOPE SOLUTIONS

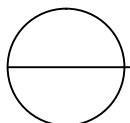
EVO ARCHITECTURAL PANEL SYSTEM  
7925 E RAY RD. STE 133  
MESA, AZ 85212  
TOLL FREE: 1-844-888-5088  
PHONE: (480) 899-3955  
FAX: (480) 899-3613  
www.evopanel.com



END VIEW

NOTES:

1. INSTALLATION TO BE COMPLETED IN ACCORDANCE WITH MANUFACTURER'S SPECIFICATIONS.
2. DO NOT SCALE DRAWING.
3. THIS DRAWING IS INTENDED FOR USE BY ARCHITECTS, ENGINEERS, CONTRACTORS, CONSULTANTS AND DESIGN PROFESSIONALS FOR PLANNING PURPOSES ONLY. THIS DRAWING MAY NOT BE USED FOR CONSTRUCTION.
4. ALL INFORMATION CONTAINED HEREIN WAS CURRENT AT THE TIME OF DEVELOPMENT BUT MUST BE REVIEWED AND APPROVED BY THE PRODUCT MANUFACTURER TO BE CONSIDERED ACCURATE.
5. CONTRACTOR'S NOTE: FOR PRODUCT AND COMPANY INFORMATION VISIT [www.CADdetails.com/info](http://www.CADdetails.com/info) AND ENTER REFERENCE NUMBER ACM\_EVO - Wet Joint standard details



**EVO™ INTEGRATED STIFFENER**

EVO™ PANEL SYSTEM: INTEGRATED STIFFENER