



AAMA 508-07 COMPLIANT
 ASTM E283, E330, E331 COMPLIANT

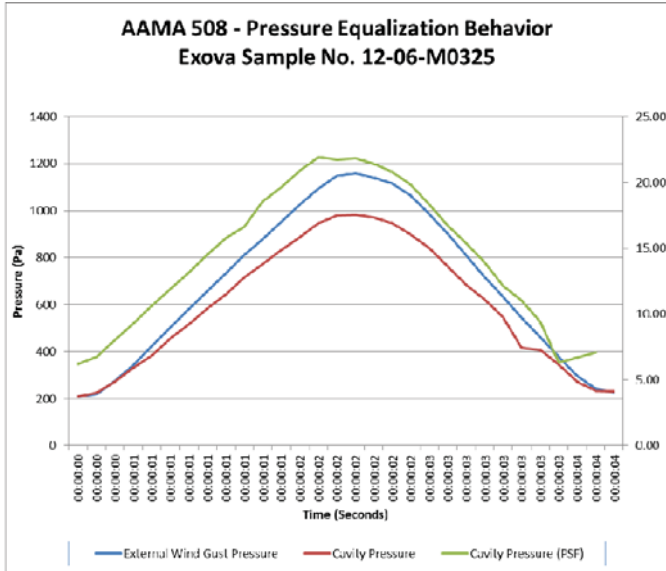
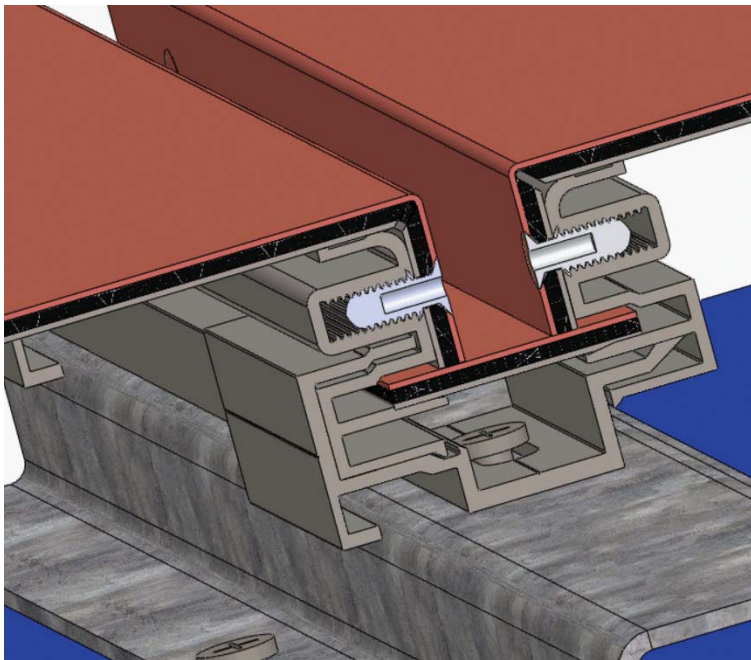


Figure 2 – Pressure Equalization Behavior

- 50% SAVINGS IN PANEL FABRICATING / ASSEMBLY TIME
- HAPPIER WORKERS = BETTER PRODUCTION, SAFER ASSEMBLY PROCESS = FEWER ACCIDENTS
- MULTIPLE NORTH AMERICAN DISTRIBUTION / STOCKING LOCATIONS
- < 1 WEEK LEAD TIME ON DELIVERIES
- FULLY TESTED SYSTEM: AAMA 508, ASTM 283, 330, 331
- LEED - 3:1 RECYCLED CONTENT VS. COMPETITORS
- PRE-PUNCHED AND CUT TO LENGTH ATTACHMENT COMPONENTS
- DXF / CAD DETAILS AND ROUTING FILES PROVIDED
- NATIONAL ARCHITECTURAL SALES SUPPORT AND REPRESENTATION
- 2" SYSTEM DEPTH FROM FACE OF PANEL TO ATTACHMENT AT SUBSTRATE
- PATENT PENDING DESIGN
- > 50 NATIONAL FABRICATORS CURRENTLY USING SYSTEM
- SYSTEM OWNERSHIP CAN BE ACHIEVED THROUGH CUSTOM TESTING DOCUMENTS
- 10' AND 20' PERIMETER IN 1000LB BUNDLES

CUSTOM LENGTHS AVAILABLE WITH MINIMUM ORDER



TESTED + CERTIFIED


Reaching New Heights with these Professionals



A GAME CHANGING EXTRUSION FOR FABRICATORS

The successful design of our FUSION™ DRILLFREE™ architectural wall panel system, places it at the cutting edge for ease of use and cost savings in assembly. We originally patented this DRILLFREE™ feature for our own benefit, but the demand from some key competitors to acquire and use it, opened our eyes to new FUSION™ DRILLFREE™ possibilities.

In a short time, we realized what was designed to give ourselves a competitive advantage, had wide appeal and we were faced with taking a new approach, one we call "Friend not Foe". Our new friends were other fabricators, who were now able to promote and open up new markets for their panel sales, using our patent pending FUSION™ DRILLFREE™ innovation.

FEATURE	ADVANTAGE	BENEFIT
	Faster to assemble panels No Clamping is required No Shavings from drilling Cleaner Work Area Safer in Assembly Easier to work with	Increased Productivity fewer procedures saves time & less exertion No surface Damage on ACM & prevents wastage Increased Productivity No broken bits or injury from Happier Employee
10' / 20' / CUSTOM LENGTHS	Project Specific ordering	Minimize waste & inventory
PRE-CUT & PUNCHED / MID & HALF CLIPS	Save time at Install Site	Easier & Faster for Installers (More productive)
PROGRESSIVE DESIGN	Remove individual panels	Serviceable & Maintainable for maximum efficiency
COMPETITIVELY PRICED	Compare the Value	Superior Performance/Benefit
AAMA / ASTM	Confidence in knowing latest standards approved	FUSION™ DRILLFREE™ is the leader in its panel system category

WHAT PEOPLE ARE SAYING ABOUT FUSION™ DRILLFREE™ ...

When you first presented your 'Fusion' Drillfree system, I was optimistic naturally, especially on how you really emphasized the speed in which you can fabricate the system. After our meeting I did my own homework on the system and realized the only way we would truly understand the potential savings was to run the system on a project. Literally within fabricating the first batch of panels I was amazed on just how quick and user friendly the system really was. With basic supervision I now have unskilled labor fabricating the "Fusion system" at a highly productive rate...Having personally fabricated 10 different rain screen/dry joint systems across Australia and also the USA, I can't speak highly enough on the systems fabricating speed and ease, we look forward to working with Carter Architectural a lot more in the future"

JESSE ROSS – PRODUCTION MANAGER AUZMET ARCHITECTURAL



SERVICING NORTH AMERICA FROM:

221 E. Willis Road Bldg A #18 Chandler, AZ 85286
 144 Bluffs Court, Canton, GA 30114
 326 Deerhurst Drive, Brampton, ON L6T 5H9
 Toll Free 1.844.888.5088 | carterpanels.com